

Instruction Manual

Art. No. 4964140

Read these operating instructions and the safety instructions carefully before using the product. Keep this manual for future reference.



CAUTION!

This caution icon refers to information pertaining to important safety procedures in preventing injuries and damages which may occur as a result of mishandling this product.



PROHIBITION!

This prohibition icon refers to information pertaining to prohibited contents. Refer to the instructions closely to avoid accidents.

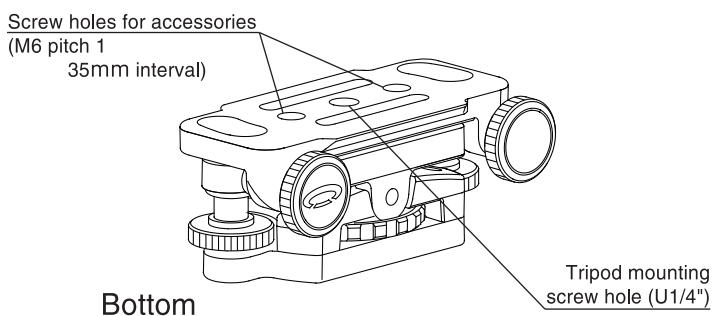
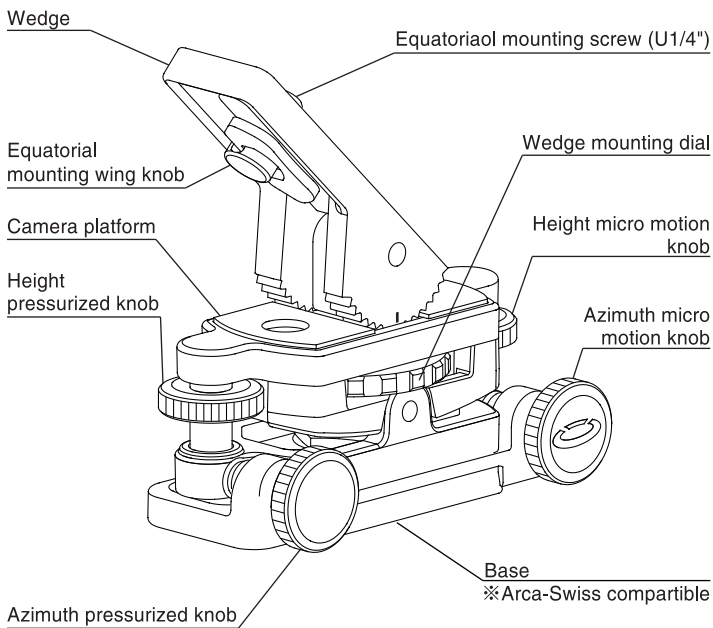
SPECIFICATIONS

HxWxD: 37 x 88 x 46 mm (1.5 x 3.5 x 1.9 in) · Weight: 250 g (0.56 lbs)

Camera screw: U1/4" (10.4in) · Tripod mount screw: U1/4"

Height adjustment angle: 20° (+/- 10°) · Azimuth adjustment angle: 16° (+/- 8°)

Parts description

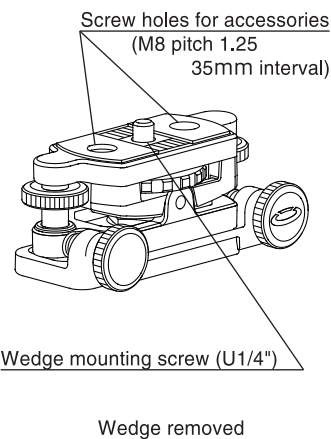


Equipment to be mount

⊘ Prohibition

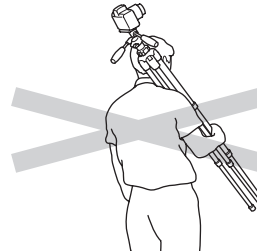
Max. load capacity : 6kg

DO NOT load more than its load capacity. Also, it may be difficult to balance the equipment due to its position of center of gravity even below the load capacity. Tripod must have enough load capacity. The center of gravity may be greatly shifted depending on the equipment used. To correct the center of gravity of the equipment, adjust mounting position of the camera platform and slide mounting position of the wedge.



Carrying the tripod

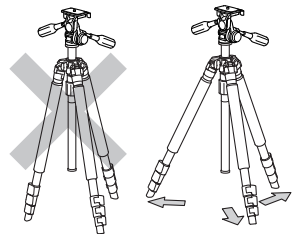
⊘ Prohibition



Remove camera and other equipment from the tripod while transporting. Camera or other equipment may fall from the tripod and cause bodily injury or property damage.

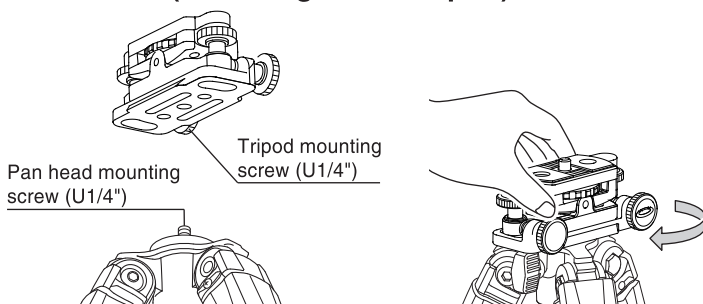
Setting up

⚠ Caution



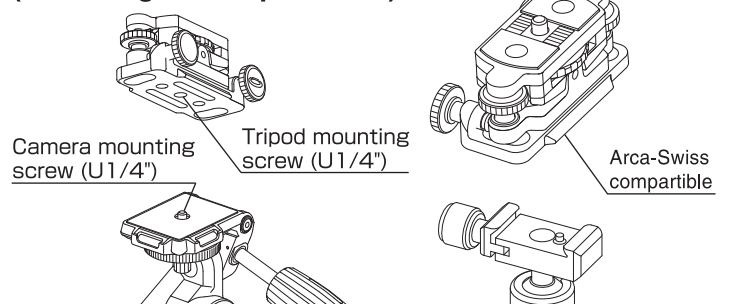
To prevent accidental equipment fall or tripod tipping over, making sure all levers, knobs and handles on the unit are securely tightened. Also, spread tripod legs as wide as possible for a solid foundation. Insufficient leg spread may cause camera shake and the tripod to fall over.

Installation (mounting on the tripod)



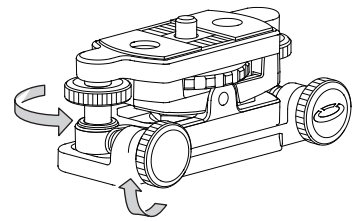
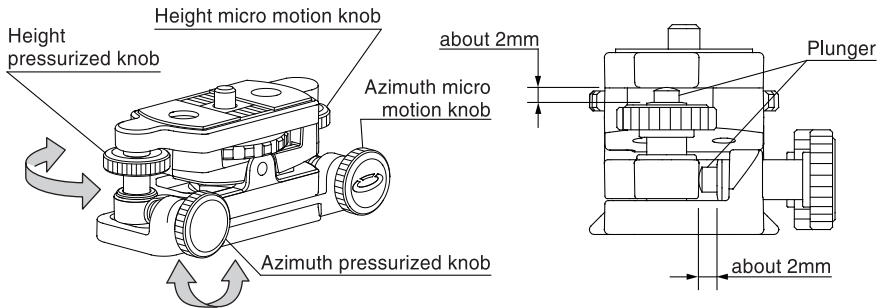
When using the unit with a field scope, attach the unit directly to the tripod or to the pan head according to your usage.
When mounting the unit directly to the tripod, rotate the unit clockwise until it comes to stop.
When mounting the unit to the portable equatorial mount, place the unit directly to the tripod.

(mounting on the pan head)



Insert pan head attachment screw of the pan head to the tripod mounting screw hole of the unit and firmly fix the unit. Although the unit base is Arca-Swiss compatible, the unit may not mount to all Arca-Swiss compatible pan head.

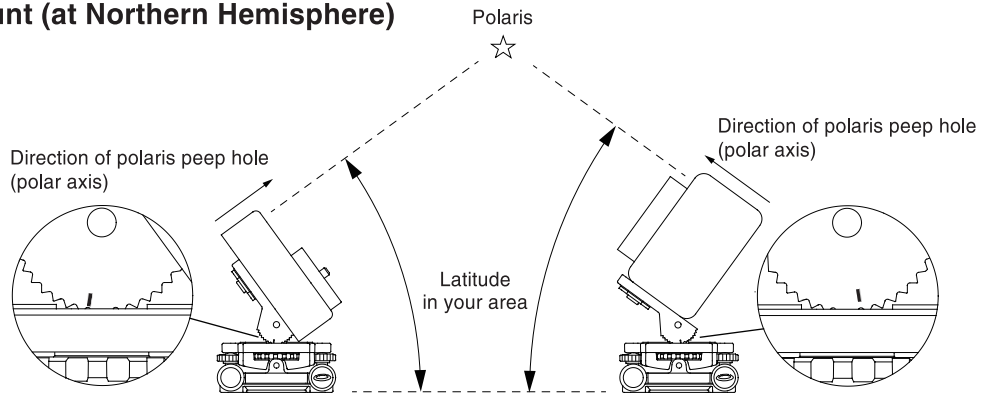
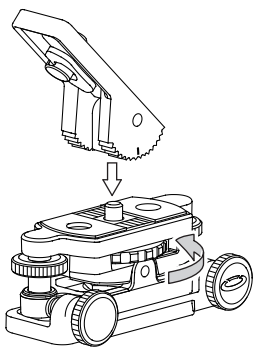
How to use micro motion knobs



Adjust the protrusion of each plunger about 2mm, by rotating both height and azimuth pressurizing knobs. When plunger comes out from the pressurizing screw, the micro motion knobs can be operated. In case of fine adjustment range is wide, adjust both the pressurizing knob until plunger retracts.

To lock the angle of the platform, rotate the pressurizing knob until plunger retracts. Rotate the pressurizing knob until it comes to stop. Do not overturn the knob.

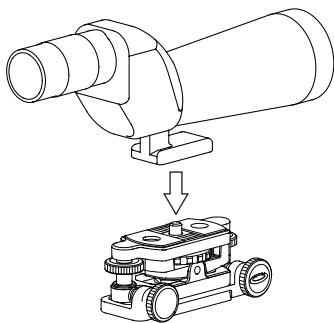
Install the portable equatorial mount (at Northern Hemisphere)



Rotate wedge mounting dial to mount the wedge to the main body. Engage the grooves of the main body and the wedge.

The indicator can be a good reference mark for easy and quick wedge angle setting. It is good to know beforehand how many steps need to be shifted from 45 deg. to achieve nearest wedge angle to the latitude of your area. The indicator is carved at 45 deg. position relative to the mounting surface of the wedge. And the angle of the wedge can be adjusted by 9 deg. increments. Adjust the angle of the wedge to match the latitude of your area.

Install the field scope



Insert wedge mounting screw to the screw to the screw hole of the field scope and rotate the wedge mounting dial until it stop.

Center of gravity of the equipment

⚠ Caution

Depending on the position of the center of gravity of the product to be installed, the plunger may sink and the fine adjustment may not be performed correctly. In this case, reverse the mounting direction or shift the center of gravity of the equipment. Place the center of gravity to the side of the height micro motion knob.

Installation of astrophotography accessories

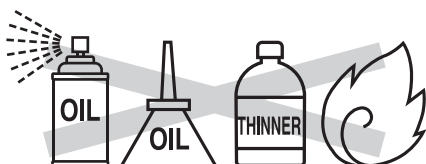
⚠ Caution

There are two each accessory holes on both top and bottom of the unit. (refer to Parts description) Top screw holes are M8 pitch 1.25, and M6 pitch 1 for the bottom. Both screw holes are 35mm interval. In case of installing a third-party accessory, the length of the screw to the pan head should be as follows.

M8 : less than 7mm
M6 : less than 6mm

Care of the product

- DO NOT apply any grease or oil to this product.
- Clean with a mild detergent and a soft cloth only.
- DO NOT use close to flame. Avoid extreme heat.



Instruction manual and additional information
Bedienungsanleitung und weitere Informationen
Manuel d'instruction et informations complémentaires
Manual de instrucciones e información adicional
Handleiding en aanvullende informatie
www.bresser.de/P4964140