

# COMFORT WEATHER CENTER WITH 7-IN-1 PROFESSIONAL SENSOR

Komfort-Wettercenter mit 7-in-1 Profi-Sensor

Art. No. 7003300 / 7803300 / 7903300



**GB** INSTRUCTION MANUAL  
**DE** BEDIENUNGSANLEITUNG

Product/Produkt	Art.No.
Station + 7-in-1 Sensor	7003300
Only/Nur 7-in-1 Sensor	7803300
Only/Nur Station	7903300

- DE** Besuchen Sie unsere Website über den folgenden QR Code oder Weblink um weitere Informationen zu diesem Produkt oder die verfügbaren Übersetzungen dieser Anleitung zu finden.
- EN** Visit our website via the following QR Code or web link to find further information on this product or the available translations of these instructions.
- FR** Si vous souhaitez obtenir plus d'informations concernant ce produit ou rechercher ce mode d'emploi en d'autres langues, rendez-vous sur notre site Internet en utilisant le code QR ou le lien correspondant.
- NL** Bezoek onze internetpagina via de volgende QR-code of weblink, voor meer informatie over dit product of de beschikbare vertalingen van deze gebruiksaanwijzing.
- ES** ¿Desearía recibir unas instrucciones de uso completas sobre este producto en un idioma determinado? Entonces visite nuestra página web utilizando el siguiente enlace (código QR) para ver las versiones disponibles.
- IT** Desidera ricevere informazioni esaustive su questo prodotto in una lingua specifica? Venga a visitare il nostro sito Web al seguente link (codice QR Code) per conoscere le versioni disponibili.
- RU** Посетите наш сайт, отсканировав QR-код, или перейдите ссылку, чтобы больше узнать об этом товаре или скачать руководство по эксплуатации на другом языке.



[www.bresser.de/P7003300](http://www.bresser.de/P7003300)



**GARANTIE · WARRANTY · GARANTÍA · GARANZIA · ГАРАНТИЯ**



[www.bresser.de/warranty\\_terms](http://www.bresser.de/warranty_terms)

## WORKS WITH:



<https://awekas.at>



WEATHER UNDERGROUND

<https://www.wunderground.com>



weathercloud

<https://weathercloud.net>

## APP DOWNLOAD:



Weather Underground is a registered trademark of The Weather Channel, LLC, both in the United States and internationally. The Weather Underground Logo is a trademark of Weather Underground, LLC. Find out more about Weather Underground at [www.wunderground.com](http://www.wunderground.com)

Apple and the Apple logo are trademarks of Apple Inc., registered in the U.S. and other countries. App Store is a service mark of Apple Inc., registered in the U.S. and other countries. Google Play and the Google Play logo are trademarks of Google Inc.

## RECYCLAGE (TRIMAN/France)



Points de collecte sur [www.quefairedemesdechets.fr](http://www.quefairedemesdechets.fr)  
Privilégiez la réparation ou le don de votre appareil !

# TABLE OF CONTENTS

---

ABOUT THIS INSTRUCTION MANUAL . . . . .	34
GENERAL WARNINGS . . . . .	34
INTRODUCTION . . . . .	34
OVERVIEW . . . . .	35
CONSOLE . . . . .	35
LCD DISPLAY . . . . .	36
WIRELESS 7-IN-1 SENSOR . . . . .	36
INSTALLATION AND SETUP . . . . .	36
INSTALL WIRELESS 7-IN-1 SENSOR . . . . .	36
SETUP THE CONSOLE . . . . .	38
SYNCHRONIZING ADDITIONAL WIRELESS SENSOR(S) (OPTIONAL) . . . . .	39
POINTING THE WIRELESS 7-IN-1 SENSOR TO SOUTH . . . . .	40
CREATE WEATHER SERVER ACCOUNT & SETUP WI-FI CONNECTION . . . . .	40
CREATE WEATHER UNDERGROUND ACCOUNT . . . . .	40
CREATE WEATHERCLOUD ACCOUNT . . . . .	42
FOR AWEKAS . . . . .	43
SETUP WI-FI CONNECTION . . . . .	43
SETUP THE WEATHER SERVER CONNECTION . . . . .	44
ADVANCE SETTING IN WEB INTERFACE . . . . .	45
VIEW YOUR WEATHER DATA IN WUNDERGROUND . . . . .	46
VIEWING YOUR WEATHER DATA IN WEATHERCLOUD . . . . .	46
VIEWING YOUR WEATHER DATA IN AWEKAS . . . . .	47
FIRMWARE UPDATE . . . . .	47
OTHER SETTING & FUNCTIONS OF THE CONSOLE . . . . .	47
MANUAL CLOCK SETTING . . . . .	47
SETTING ALARM TIME . . . . .	48
ACTIVATING ALARM AND TEMPERATURE PRE-ALARM FUNCTION . . . . .	48
SUNRISE & SUNSET TIME . . . . .	48
MOON PHASE . . . . .	49
TEMPERATURE / HUMIDITY FUNCTION . . . . .	49
TREND INDICATOR . . . . .	50
WIND . . . . .	50
WEATHER INDEX . . . . .	52
WEATHER FORECAST . . . . .	52
BAROMETRIC PRESSURE . . . . .	53
RAIN . . . . .	53
LIGHT INTENSITY, UV INDEX & SUNBURN TIME . . . . .	53
MAX / MIN DATA RECORD . . . . .	54
PAST 24 HOURS HISTORY DATA . . . . .	55
WEATHER ALERT SETTING . . . . .	55
BACK LIGHT . . . . .	56
DISPLAY CONTRAST . . . . .	56
MAINTENANCE . . . . .	56
BATTERY REPLACEMENT . . . . .	56
WIRELESS 7-IN-1 SENSOR MAINTENANCE . . . . .	56
TROUBLESHOOTING . . . . .	57
SPECIFICATIONS . . . . .	57
CONSOLE . . . . .	57
WIRELESS 7-IN-1 SENSOR . . . . .	59
DISPOSAL . . . . .	60
EC DECLARATION OF CONFORMITY . . . . .	60
UKCA DECLARATION OF CONFORMITY . . . . .	60
WARRANTY & SERVICE . . . . .	60

## ABOUT THIS INSTRUCTION MANUAL

---



These operating instructions are to be considered a component of the device.

Please read the safety instructions and the operating instructions carefully before use.

Keep these instructions for renewed use at a later date. When the device is sold or given to someone else, the instruction manual must be provided to the new owner/user of the product.

This product is intended only for private use. It was developed as an electronic medium for the use of multimedia services.

## GENERAL WARNINGS

---



### **RISK OF CHOKING!**

Keep packaging material, like plastic bags and rubber bands, out of the reach of children, as these materials pose a choking hazard.



### **RISK OF ELECTRIC SHOCK!**

This device contains electronic components that operate via a power source (batteries). Children should only use the device under adult supervision. Only use the device as described in the manual; otherwise, you run the risk of an electric shock.



### **RISK OF CHEMICAL BURN!!**

Leaking battery acid can lead to chemical burns. Avoid contact of battery acid with skin, eyes and mucous membranes. In the event of contact, rinse the affected region immediately with a plenty of water and seek medical attention.



### **RISK OF FIRE/EXPLOSION!**

Use only the recommended batteries. Do not short-circuit the device or batteries, or throw them into a fire. Excessive heat or improper handling could trigger a short-circuit, a fire or an explosion.

### **! NOTE!**

Do not disassemble the device. In the event of a defect, please contact your dealer. The dealer will contact the Service Centre and can send the device in to be repaired, if necessary.

Do not immerse the unit in water.

Do not subject the unit to excessive force, shock, dust, extreme temperature or high humidity, which may result in malfunction, shorter electronic life span, damaged batteries and distorted parts.

Use only the recommended batteries. Always replace weak or empty batteries with a new, complete set of batteries at full capacity. Do not use batteries from different brands or with different capacities. Remove the batteries from the unit if it has not been used for a long time.

The manufacturer is not liable for damage related to improperly installed batteries!

## INTRODUCTION

---

Thank you for selecting the WIFI Comfort Weather Center with 7-in-1 professional sensor. This system gathers and automatically uploads accurate and detailed weather data to the Weather Underground, Weathercloud or AWEKAS website - the famous weather services that allow weather observers to upload their local weather data with automated personal weather stations (PWS) - at which you can access and upload your weather data freely. This product offers professional weather observers or serious weather enthusiasts robust performance with a wide range of options and sensors. You will get your own local forecast, high/low, totals and averages for virtually all weather variables without using a PC/Mac.

The 7-in-1 sensor which measures outdoor temperature, humidity, wind, rain UV and Light together with up to 7 individual temperature humidity sensors, which can add to a sensor array of maximum 7 units continually, transmits weather data to the console. Both sensors are fully assembled and calibrated for your easy installation. They send data at a low power radio frequency to the console from up to 150m/450 feet away (line of sight).

In the console, high-speed processors are embedded to analyze the received weather data and these real-time data can be published to [Wunderground.com](http://Wunderground.com), [weathercloud.net](http://weathercloud.net) or [awekas.at](http://awekas.at) through your home WI-FI router. The console can also synchronize with Internet time server to show high precision time and for its weather data time stamp. The color LCD display shows informative weather readings with advanced features, such as high/low alert alarm, different weather index, and MAX/MIN records. With calibration, sunrise / sunset and moon phase features, this system is truly a remarkably personal yet professional weather station for your own backyard.

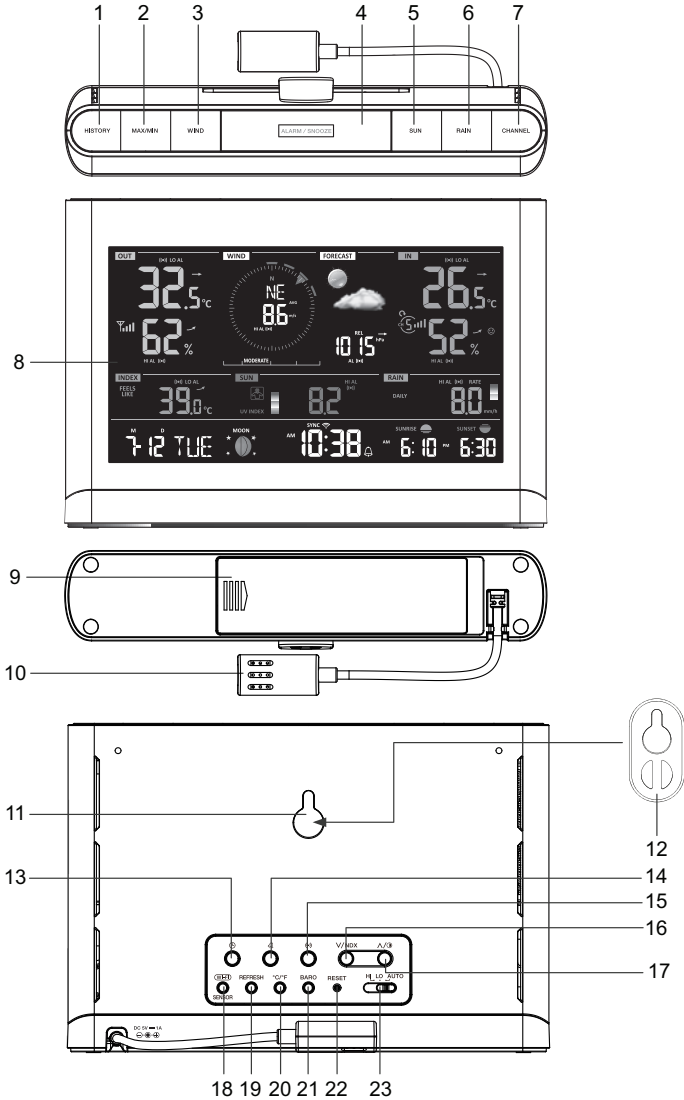
**NOTE:**

This instruction manual contains useful information on the proper use and care of this product. Please read this manual through to fully understand and enjoy its features, and keep it handy for future use.

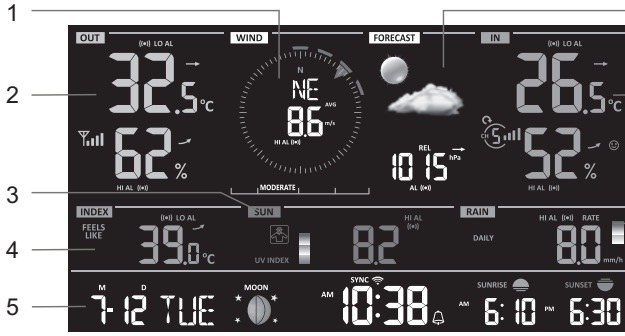
**OVERVIEW**

**CONSOLE**

1. [ **HISTORY** ] key
2. [ **MAX / MIN** ] key
3. [ **WIND** ] key
4. [ **ALARM/SNOOZE** ] key
5. [ **SUN** ] key
6. [ **RAIN** ] key
7. [ **CHANNEL** ] key
8. LCD display
9. Battery door
10. Power jack
11. Wall mount hole
12. Extend wall mount holder
13. [ **CLOCK** ] key
14. [ **ALARM** ] Index key
15. [ **ALERT** ] key
16. [ **∇ / NDX** ] key
17. [ **∧ / ☉** ] key
18. [ **SENSOR / WI-FI** ] key
19. [ **REFRESH** ] key
20. [ **°C / °F** ] key
21. [ **BARO** ] key
22. [ **RESET** ] key
23. [ **HI / LO / AUTO** ] slide switch



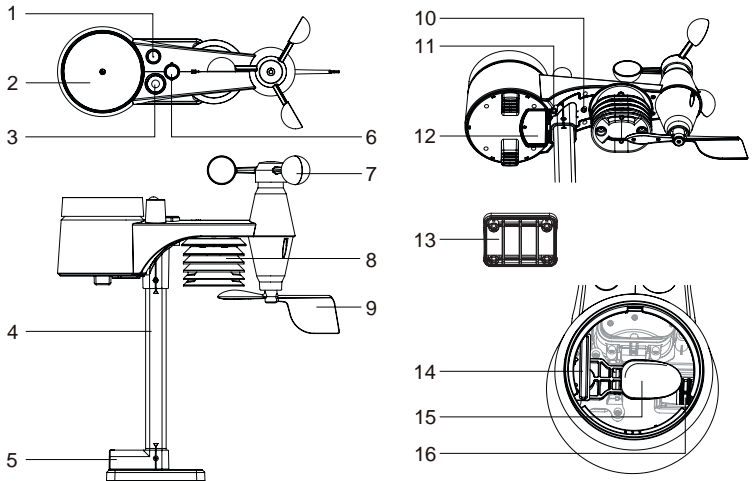
## LCD DISPLAY



- 6 1. Wind direction & speed
2. Outdoor temperature & humidity
- 7 3. UV index & light intensity (SUN)
4. Weather index
5. Time Calendar, moon phase & sunrise /Sunset
6. Weather forecast & Barometer
7. Indoor / Ch temperature & humidity
8. Rainfall & Rain rate

## WIRELESS 7-IN-1 SENSOR

1. Antenna
2. Rain collector
3. UVI / light sensor
4. Mounting pole
5. Mounting base
6. Balance indicator
7. Wind cups
8. Radiation shield
9. Wind vane
10. Red LED indicator
11. [ RESET ] key
12. Battery door
13. Mounting clamp
14. Rain sensor
15. Tipping bucket
16. Drain holes



## INSTALLATION AND SETUP

Your console can pair up with one wireless 7-in-1 outdoor sensor and up to 7 wireless thermo-hygro sensors. (Optional)

### INSTALL WIRELESS 7-IN-1 SENSOR

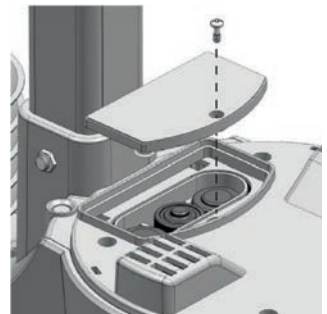
Your wireless 7-IN-1 sensor measures wind speed, wind direction, rainfall, UV index, light intensity, temperature and humidity for you. It's fully assembled and calibrated for your easy installation.

### BATTERY AND INSTALLATION

Unscrew the battery door at bottom of unit and insert the batteries according to the +/- polarity indicated. Screw the battery door compartment on tightly.

#### NOTE:

- Ensure the water tight O-ring is properly aligned in place to ensure water resistant.
- The red LED will begin flashing every 12 seconds.



## ASSEMBLY THE STAND AND POLE

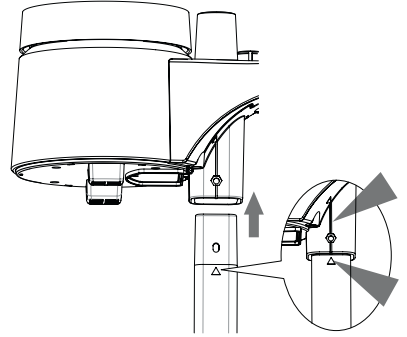
### Step 1

Insert the top side of the pole to the square hole of the weather sensor.



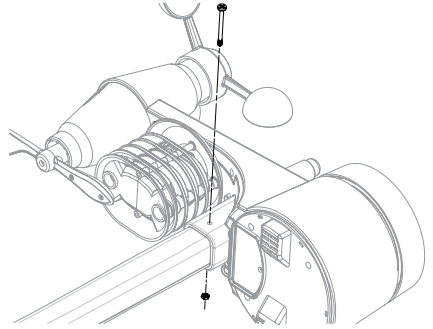
#### NOTE:

Ensure the pole and sensor's indicator align.



### Step 2

Place the nut in the hexagon hole on the sensor, then insert the screw in other side and tighten it by the screw driver.



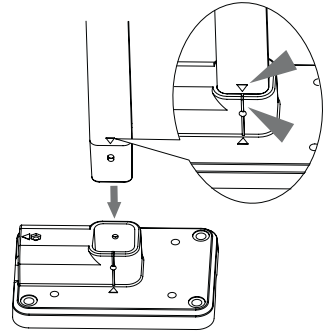
### Step 3

Insert the other side of the pole to the square hole of the plastic stand.



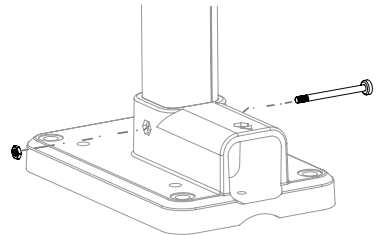
#### NOTE:

Ensure the pole and stand's indicator align.

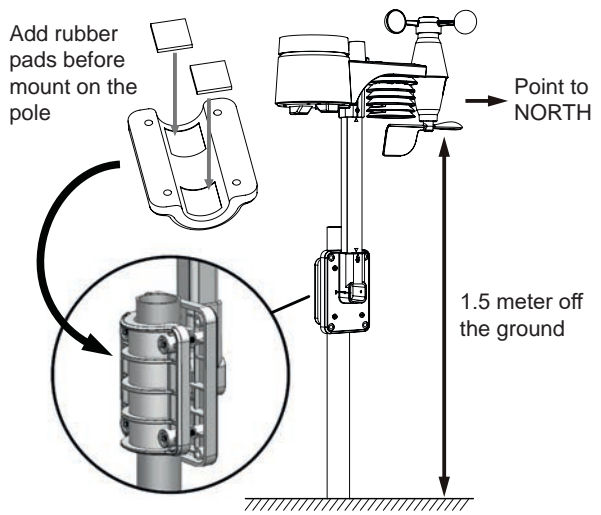


### Step 4

Place the nut in the hexagon hole of the stand, then insert the screw in other side and then tighten it by the screw driver.

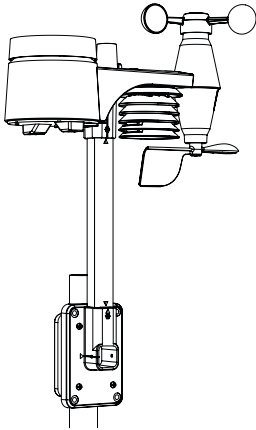


Install the wireless 7-IN-1 sensor in an open location with no obstructions above and around the sensor for accurate rain and wind measurement. Install the sensor with the smaller end facing the North to properly orient the wind direction vane. Secure the mounting stand and clamps (included) to a post or pole, and allow minimum 1.5m off the ground.

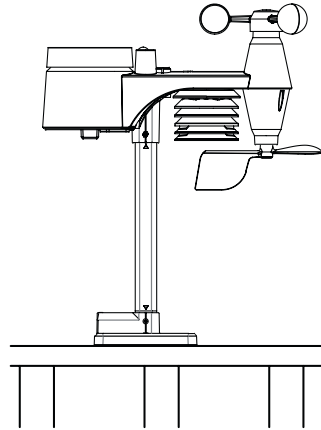


### **MOUNTING GUIDELINES**

1. Install the wireless 7-IN-1 sensor at least 1.5m off the ground for better and more accurate wind measurements.
2. Choose an open area within 150 meters from the LCD console.
3. Install the wireless 7-IN-1 sensor as level as possible to achieve accurate rain and wind measurements.
4. Mount the wireless 7-IN-1 sensor with the wind meter end pointing to the North to correctly orient direction of the wind vane.



A. Mounting on pole (Pole Diameter 1"~1.3")  
(25~33mm)



B. Mounting on the railing

### **SETUP THE CONSOLE**

Follow the procedure to setup the console connection with sensor(s) and WI-FI.

### **BACKUP BATTERIES INSTALLATION**

1. Remove the battery door on the bottom of the main unit.
2. Insert 3 new AAA batteries.
3. Replace the battery door.



**Note:**

- The backup battery can backup: Time & Date, Max/Min & Past 24 hours weather records, Alert setting values, offset value of weather data and sensor(s) channel history.
- The built-in memory can backup: Router setting and Weather server setting.

**POWER UP THE CONSOLE**

1. Plug the power adapter to power up the console.
2. Once the console power up, all the segments of the LCD will be shown.
3. The console will automatically start AP mode.

**NOTE:**

If no display appears when power up the console. You can press [ **RESET** ] key by using a pointed object. If this process still not work, you can remove the backup battery and unplug the adaptor then re-power up the console again.

**SET LCD DISPLAY VIEWING ANGLE**

Press [ **^** ] or [ **v** ] key in normal mode to adjust LCD viewing angle to fit table stand or wall mount situation.

**BUILT-IN MEMORY**

The console has built-in FLASH memory that holds the vital settings. These include:

- Time Zone, DST status, Time SYNC status, WI-FI and Weather server setting, Latitude / Longitude, Hemisphere setting, Calibration values, and Sensor ID of paired sensor(s)

**RESET AND FACTORY HARD RESET**

To reset the console and start again, press the [ **RESET** ] key once or remove the backup battery and then unplug the adapter. To resume factory settings and remove all data, press and hold the [ **RESET** ] key for 6 seconds.

**RESYNCHRONIZE SENSORS**

Press the [ **SENSOR / WI-FI** ] key once for the console to enter sensor Synchronization mode, and the console will re-register all the sensors that have already been registered to it before. i.e. the console will not lose the connection of the sensors that you'd paired up before.

**CHANGING BATTERIES AND MANUAL PAIRING OF SENSOR**

Whenever you changed the batteries of the wireless thermo-hygro or 7-in-1 weather sensor, re-synchronization must be done manually.

1. Change all the batteries to new ones in the sensor.
2. Press [ **SENSOR / WI-FI** ] key on the console to enter sensor synchronization mode.
3. Press [ **RESET** ] key on the wireless thermo-hygro or 7-in-1 weather sensor.

**SYNCHRONIZING ADDITIONAL WIRELESS SENSOR(S) (OPTIONAL)**

The console can support up to 7 additional wireless sensors.


1. Press the [ **SENSOR / WI-FI** ] key once on the console to enter synchronization mode.
2. Press the [ **RESET** ] key on the new sensor, and wait for a few minutes for the new sensor to paired to the console.

**NOTE:**

- Channel number of the wireless thermo-hygro sensor must not be duplicated among the sensors.
- This console can support different type of additional wireless sensor, e.g. soil moisture and pool sensor. If you would like to pair up additional sensors, please check with your retailer for more detail.

## POINTING THE WIRELESS 7-IN-1 SENSOR TO SOUTH

The outdoor 7-IN-1 sensor is calibrated to point to North for the maximum accuracy. However, for the user's convenience (e.g. users in the Southern hemisphere), it is possible to use the sensor with the wind vane pointing to South.

1. Install the 7-IN-1 wireless sensor with its wind meter end pointing to South. (Please refer to **INSTALLATION OF THE WIRELESS SENSOR** section for mounting details)
2. Select "S" in hemisphere section of the setup UI setup page. (Please refer to **SETUP THE WEATHER SERVER CONNECTION** section for setup details)
3. Press  icon to confirm and exit.

### **NOTE:**

Changing the hemisphere setting will automatically switch the direction of the moon phase on the display.

## CREATE WEATHER SERVER ACCOUNT & SETUP WI-FI CONNECTION

The console can upload weather data to WUnderground, WeatherCloud and/or AWEKAS through WI-FI router, you can follow the step below to setup your device.

### **NOTE:**

The Weather Underground and Weathercloud website are subjected to change without notice.

## CREATE WEATHER UNDERGROUND ACCOUNT

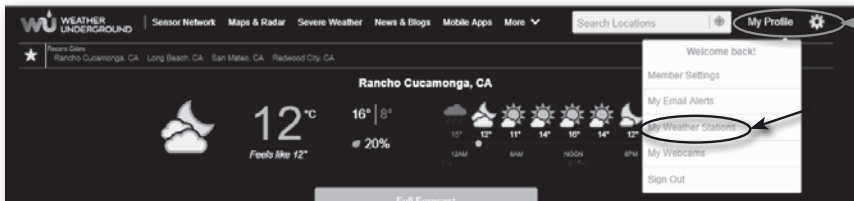
1. In <https://www.wunderground.com> click the "Join" on the top right corner to open the registration page. Follow the instructions to create your account.



### **NOTE:**

Use the valid email address to register your account.

2. After you have created your account and completed the Email validation, please go back to the WUnderground web page to login. Then, click "My Profile" button on the top to open the drop-down menu and click "My Weather Station".



3. In "My Weather Station" page bottom, press the "Add New Device" button to add your device.
4. In step "Select a Device Type", choose "Other" in the list, then press "Next".



5. In step "Set Device Name & Location", select your location on the map, then press "Next".

**Add a New PWS**

TYPE LOCATION DETAILS DONE

Set Device Name & Location

50%

Device Location:

Address  Manual

41.783, -108.800

Your Location has been verified and adjusted

Elevation: 2051 m  
 Lat, Lon: 41.783, -108.800  
 Neighborhood: Rock Springs  
 Time Zone: America/Denver

- Follow their instruction to enter your station information, in the Step "Tell Us More About Your Device", (1) enter a Name for your weather station. (2) fill in the other information (3) select "**I Accept**" to accept Weather underground's privacy terms, (4) click "**Next**" to create your station ID and key.

**Add a New pws**

TYPE LOCATION DETAILS DONE

Tell Us More About Your Device

75%

Name(Required):  
 (1)

Surface Type:

Device Hardware(Required):

(2) Associate Webcam:

Height Above Ground:

**You Make Our Forecasts More Accurate. We Respect Your Privacy**

Contribute to the Weather Underground community by sharing some information about yourself and your sensor. We use this information to manage your account and to improve the experience from the Weather Underground community. We may also share certain data for commercial purposes, such as your sensor location.

Learn more about how we take your privacy seriously

(Required)  
 I Accept  I Deny

(3)

Email Preferences:  
 I would like to receive PWS notifications.

(4)

- Jot down Your "Station ID" and "Station key" for the further setup step.

**Registration Complete!**

100%

Congratulations! Your personal weather station is now registered with Weather Underground.

Enter the information below to your weather station software.

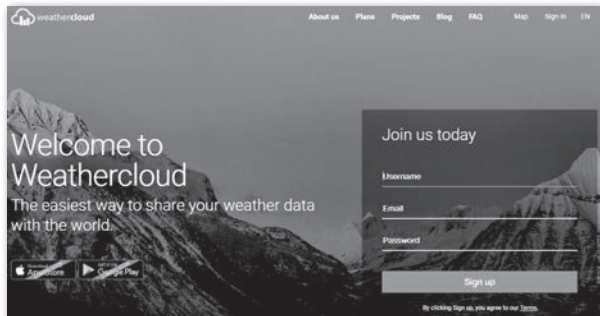
Your Station ID: **KCOARVAD281**

Your Station Key: **s1kgFvGZ**

Configure Your Software

## CREATE WEATHERCLOUD ACCOUNT

1. In <https://weathercloud.net> enter your information in "Join us today" section, then follow the instructions to create your account.



### **NOTE:**

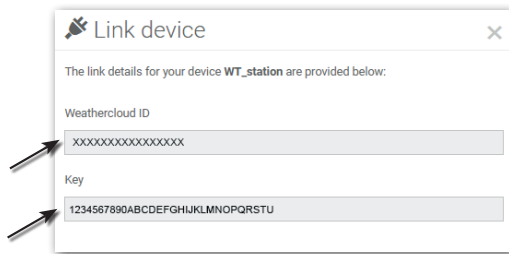
Use a valid email address to register your account.

2. Sign in weathercloud and then you will go to the "Devices" page, click "+ New" to create new device.



3. Enter all the information in **Create new device** page, for the **Model\*** selection box select the "**W100 Series**" under "**CCL**" section. For the Link type\* selection box select the "**SETTINGS**", Once you have completed, click **Create**.

4. Jot down your ID and key for the further setup step.



## **CREATING AN USER ACCOUNT FOR THE WEATHER SERVICE "AWEKAS"**

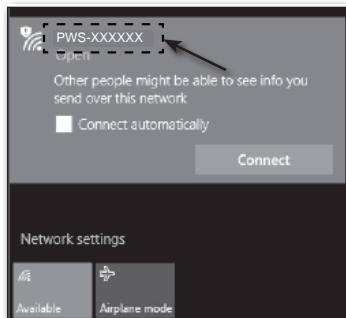
1. Enter the following web address in the address bar of the web browser for the 'AWEKAS' service: <https://join.awekas.at>
2. Fill in all the required information to register with the weather service 'AWEKAS'. Please also read the detailed additional instructions, which you can download via the following weblink: [http://archive.bresser.de/download/awekas/7003300/7003300\\_AWEKAS-Setup\\_en.pdf](http://archive.bresser.de/download/awekas/7003300/7003300_AWEKAS-Setup_en.pdf)
3. Make a note of the following:
  - Username
  - Password
  - Geographical latitude in decimal degrees (e.g. 48.30591)
  - Geographical longitude in decimal degrees (e.g. 14.2862)

**NOTE! For the registration a valid e-mail address, to which you must have access, is mandatory, otherwise the setup and use of the service is not possible!**

4. After completing the registration with "AWEKAS", set up the WI-FI connection for your weather station (see chapter "Configuration/Setting up a WI-FI connection") and make the settings described in the additional instructions for "Setting up the base station to transmit weather data to awekas.at".

## **SETUP WI-FI CONNECTION**

1. When you power up the console for the first time, the console LCD will show flashing "AP" and "📶" icon to signify that it has entered AP (Access Point) mode, and is ready for WI-FI settings. User can also press and hold the [ **SENSOR / WI-FI** ] key for 6 seconds to enter AP mode manually.
2. Use a smart phone, tablet, or computer to connect the console through WI-FI.
3. In PC/Mac choose WI-FI network settings or In Android / iOS choose setting → WI-FI to select the console's SSID: *PWS-XXXXXX* in the list and it will need several second to connect.



PC (Windows 10) WI-FI network interface



Android WI-FI network interface

- Once connected, enter the following IP address into your Internet browser's address bar, to access the console's web interface:

**http://192.168.1.1**

**NOTE :**

- Some browsers will treat **192.168.1.1** as a search, so make sure you include **http://** header.
- Recommended browsers, such as the latest version of Chrome, Safari, Edge, Firefox or Opera.
- WI-FI network interface of PC/Mac or mobile subject to change.

**WI-FI CONNECTION STATUS**

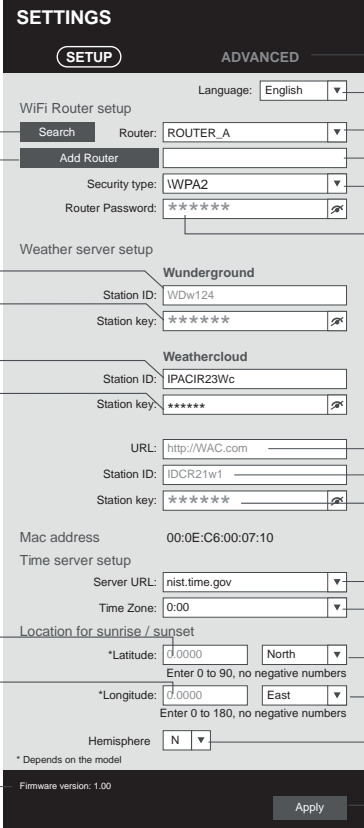
Below is the WI-FI icon status on the console LCD:

		
Stable: Console is in connection with WI-FI router	Flashing: Console is trying to connect to WI-FI router	Flashing: Console currently in Access Point (AP) mode

**SETUP THE WEATHER SERVER CONNECTION**

Enter the following information into the below web interface "SETUP" page to connect the console to weather server, If you do not want to use Wunderground.com or Weathercloud.net, please empty the station ID & key to ignore the data upload.

SETUP page



The screenshot shows the 'SETTINGS' page with the 'SETUP' tab selected. The page is divided into several sections:

- WiFi Router setup:** Includes a 'Search' button, a 'Router' dropdown menu (set to 'ROUTER\_A'), an 'Add Router' button, a 'Security type' dropdown (set to 'WPA2'), and a 'Router Password' field with a masked password and a search icon.
- Weather server setup:** Contains two sections:
  - Wunderground:** 'Station ID' (WDw124) and 'Station key' (\*\*\*\*\*).
  - Weathercloud:** 'Station ID' (IPACIR23Wc) and 'Station key' (\*\*\*\*\*).
- URL:** A text field containing 'http://WAC.com'.
- Station ID and Key:** Below the URL, there are fields for 'Station ID' (IDCR21w1) and 'Station key' (\*\*\*\*\*).
- Mac address:** A text field showing '00:0E:C6:00:07:10'.
- Time server setup:** 'Server URL' dropdown (nist.time.gov) and 'Time Zone' dropdown (0:00).
- Location for sunrise / sunset:** 'Latitude' (0.0000) and 'Longitude' (0.0000) fields, each with a direction dropdown (North and East respectively).
- Hemisphere:** A dropdown menu set to 'N'.
- Footer:** 'WIFI firmware version' (1.00) and an 'Apply' button.

Annotations on the right side of the image provide instructions for various elements:

- Press "ADVANCED" icon to advanced page
- Select setup UI display language
- Select WiFi/Network (SSID) for connection
- Manually enter the SSID if not on list
- Select router's security type (usually WPA2)
- WiFi/network password (leave blank if the security type is "Open")
- Reserved for validated weather server (e.g. AWEKAS), detail please consult with your retailer. Use "http://ws.awekas.at" for AWEKAS
- Enter new station ID and key that assigned by the corresponding weather server
- Select time server
- Select time zone of your location
- Select the direction (e.g. EU countries Longitude is East and US is West)
- Select the sensor located hemisphere (e.g. US and EU countries are also "N", Australia is "S")
- Press to complete the setting

Annotations on the left side of the image provide instructions for various elements:

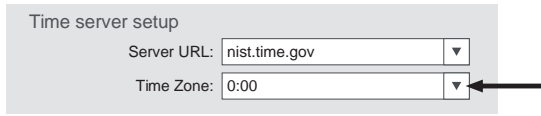
- Press to search router
- Press to allow add router manually
- Enter new Station ID and Station key that assigned by Wunderground
- Enter new Station ID and Station key that assigned by weathercloud
- Enter the latitude value
- Enter the longitude value
- WIFI firmware version

**NOTE:**

- When WI-FI setup is completed, your PC/Mac or mobile will resume your default WI-FI connection.
- During AP mode, you can press and hold the [ **SENSOR / WI-FI** ] key for 6 seconds to stop AP mode and the console will restore your previous setting.

**TIME ZONE**

To automatically set the time display to your time-zone, change the time zone in **SETUP** page of previous section from '0:00' (default) to your time zone (e.g.+1:00 for Germany).



**TIME SERVER CONNECTION STATUS**

After the console has connected to the Internet, it will attempt to connect to the Internet time server to obtain the UTC time. Once the connection succeeds and the console time has been updated, the " **SYNC** " icon will appear on the LCD.



The time will automatically synchronize Internet time server at 12:00AM and 12:00PM per day. Also you can press the [ **REFRESH** ] key to get the Internet time manually within 1 minute.

**ADVANCE SETTING IN WEB INTERFACE**

Press "**ADVANCED**" key at the top of web interface to enter the advance setting page, this page allows you to set and view the calibration data of the console, as well as update the firmware version on PC/Mac web browser.

ADVANCED page

Annotations for the screenshot:

- Press "SETUP" icon to Setup page
- Select setting unit
- In/Outdoor and Ch 1-7 temperature calibration section
- In/Outdoor and Ch 1-7 humidity calibration section
- Select setting unit
- Pressure calibration section
- Current offset value is the value that you set before to offset the pressure reading.
- The rain, wind speed, UV and Light calibration use gain method. The wind direction is +/- 10 offset.
- Current firmware version
- The firmware update function only available in PC web browser

## CALIBRATION

1. User can input the offset and/or gain values for different parameters while current offset and gain values are shown next to their corresponding blank.
2. Once completed, press **Apply** at the bottom of the SETUP page  
The current offset value will show the previous value that you entered, please input the new value in the blank if any changes needed, the new value will effective once you press **Apply** icon in SETUP page.

## NOTE:

- Calibration of most parameter is not required, with the exception of Relative Pressure, which must be calibrated to sea-level to account for altitude effects.

## VIEW YOUR WEATHER DATA IN WUNDERGROUND

To view your weather station live data in a web browser (PC or mobile version), please visit <http://www.wunderground.com>, and then enter your "Station ID" in the searching box. Your weather data will show up on the next page. You can also login your account to view and download the recorded data of your weather station.



Another way to view your station is use the web browser URL bar, type below in the URL bar:

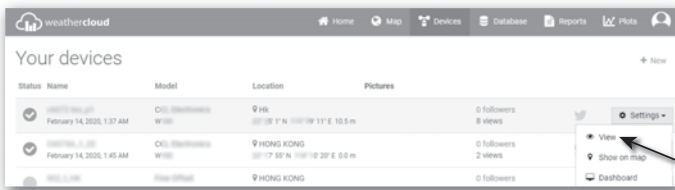
**<https://www.wunderground.com/dashboard/pws/XXXX>**

Then replace the XXXX by your Weather underground station ID to view your station live data.

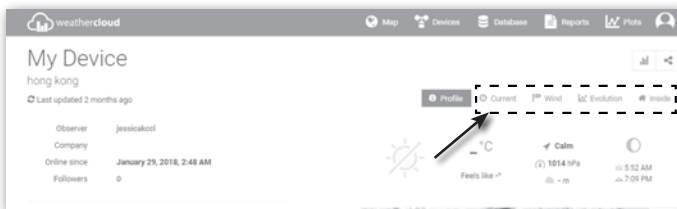
You can also check Weather Underground web site to learn more about their mobile App for Android and iOS.

## VIEWING YOUR WEATHER DATA IN WEATHERCLOUD

1. To view your weather station live data in a web browser (PC or mobile version), please visit <https://weathercloud.net> and sign in your own account.
2. Click the **View** icon inside the **Settings** pull down menu of your station.



3. Click **"Current"**, **"Wind"**, **"Evolution"** or **"Inside"** icon to view the live data of your weather station.





## VIEWING YOUR WEATHER DATA IN AWEKAS

---

1. To view the live data of your weather station in a web browser, please visit <https://my.awekas.at> and enter your AWEKAS user name, your AWEKAS password and the answer to the security question. You can activate the "Autologin" function to prevent the user and password query in the future.
2. After clicking on "Login" you will get to your AWEKAS instrument page.

## FIRMWARE UPDATE

The console supports OTA firmware update capability. Its firmware may be updated over the air anytime (whenever necessary) through any web-browser on a PC/Mac with WI-FI connectivity. Update function, however, is not available through mobile/smart devices.



## FIRMWARE UPDATE STEP

1. Download the latest version firmware to your PC/Mac.
2. Set the Console into AP (access point) mode then connect the PC/Mac to the console (ref to "SETUP WI-FI CONNECTION" section in previous page).
3. Click the **Browse** in firmware update section and browse the location of the file you download in step 1. To update the WI-FI firmware, click the **Browse** in WI-FI firmware section.
4. Click the corresponding **Upload** to start transfer the firmware file to console.
5. In the meantime, the console will execute the update automatically and will show the update progress on display (i.e. 100 is completion).



The update time is around 5 ~ 10 minutes

6. The console will restart once the update is completed.
7. The console will stay in **AP mode** for you to check the firmware version and all the current setting.

## IMPORTANT NOTE:

- Please keep connecting the power during the firmware update process.
- Please make sure your PC/Mac's WI-FI connection is stable.
- When the update process start, do not operate the PC/Mac and console until the update finished.
- During firmware update the console will stop upload data to the cloud server. It will reconnect to your WI-FI router and upload the data again once the firmware update succeed. If the console cannot connect to your router, please enter the SETUP page to setup again.
- After the firmware update, If the setup informations are missing, please input the setup information again.
- Firmware update process have potential risk, which cannot guarantee 100% success. If the update fail, please redo the above step to update again.

## OTHER SETTING & FUNCTIONS OF THE CONSOLE

---

### MANUAL CLOCK SETTING

This console is designed to obtain the UTC time by synchronize with the assigned Internet time server. If you want to use it off line, you can set the time and date manually. During the first time startup, press and hold the [ **SENSOR / WI-FI** ] key for 6 seconds and let the console back to normal mode.

1. In normal mode, press and hold [ **CLOCK SET** ] key for 2 seconds to enter setting.
2. The setting sequence: DST AUTO/OFF → Hour → Minute → 12/24 hour format → Year → Month → Day → M-D/D-M format → Time sync ON/OFF → weekday Language.
3. Press [ **^** ] or [ **v** ] key to change the value. Press and hold the key for quick-adjust.
4. Press [ **CLOCK SET** ] key to save and exit the setting mode, or it will automatically exit the setting mode 60 seconds later without pressing any key.

## NOTE:

- In normal mode, press [ **CLOCK SET** ] key to switch between year and date display.
- During the setting, you can go back to normal mode by press and hold [ **CLOCK SET** ] key for 2 seconds.


## DAYLIGHT SAVING TIME (DST)

DST function is default "AUTO" (for EU or US version). If the current date on display is with in the summer daylight saving period, the time will be automatically adjusted forward by +1 hour, and DST icon will be shown on the LCD display.

## SETTING ALARM TIME

1. In normal time mode, press and hold [ **ALARM** ] key for 2 seconds until the alarm hour digit flashes to enter alarm time setting mode.
2. Press [ **^** ] or [ **v** ] key to change the value. Press and hold the key for quick-adjust.
3. Press [ **ALARM** ] key again to step the setting value to Minute with the Minute digit flashing.
4. Press [ **^** ] or [ **v** ] key to adjust the value of the flashing digit.
5. Press [ **ALARM** ] key to save and exit the setting.

## NOTE:

- In alarm mode, the " " icon will display on the LCD.
- The alarm function will turn on automatically once you set the alarm time.

## ACTIVATING ALARM AND TEMPERATURE PRE-ALARM FUNCTION

1. In normal mode, press [ **ALARM** ] key to show the alarm time for 5 seconds.
2. When the alarm time displays, press [ **ALARM** ] key again to activate the alarm function.  
Or press [ **ALARM** ] key twice to activate the alarm with ice pre-alarm function.

		
Alarm off	Alarm on	Alarm with ice-alert

## NOTE:


Once the ice pre-alert activates, the pre-set alarm will sound and ice-alert icon will flash 30 minutes earlier if the outdoor temperature is below -3°C.

When the clock reaches the alarm time, alarm sound will start.

Where it can be stopped by following operation:

- Auto-stop after 2 minutes alarming if without any operation and the alarm will activate again the next day.
- By pressing [ **ALARM / SNOOZE** ] key to enter snooze that the alarm will sound again after 5 minutes.
- By pressing and hold [ **ALARM / SNOOZE** ] key for 2 seconds to stop the alarm and will activate again the next day
- By pressing [ **ALARM** ] key to stop the alarm and the alarm will activate again the next day.

## NOTE:

- The snooze could be used continuously in 24 hours.
- During the snooze, the alarm icon " " will keep flashing.

## SUNRISE & SUNSET TIME

The console indicates your location's sunrise & sunset time by the time zone, latitude and longitude you entered. Please enter the correct information in the regarding settings. If the latitude and longitude values do not match the time zone, the sunrise & sunset time cannot be shown.



## MOON PHASE

The moon phase is determined by the time, date and time zone. The following table explains the moon phase icons of the Northern and Southern Hemispheres. Please refer to **POINTING THE WIRELESS 7-IN-1 SENSOR TO SOUTH** section about how to setup for the Southern Hemispheres.

Northern Hemisphere	Moon Phase	Southern Hemisphere
	New Moon	
	Waxing Crescent	
	First quarter	
	Waxing Gibbous	
	Full Moon	
	Waning Gibbous	
	Third quarter	
	Waning Crescent	

## TEMPERATURE / HUMIDITY FUNCTION

- The temperature and humidity reading are display on the outdoor and indoor (CH) section.
- Use the [ °C / °F ] slide switch to select the temperature display unit.
- If temperature / humidity is below the measurement range, the reading will show "Lo". If temperature / humidity is above the measurement range, the reading will show "HI".

## COMFORT INDICATION

The comfort indication is a pictorial indication based on indoor air temperature and humidity in an attempt to determine comfort level.



Too cold



Comfortable



Too hot

## NOTE:

- Comfort indication can vary under the same temperature, depending on the humidity.
- There is no comfort indication when temperature is below 0°C (32°F) or over 60°C (140°F).

## WIRELESS SENSOR SIGNAL RECEIVING

1. The console display signal strength for the wireless sensor(s), as per table below:

Outdoor 7-in-1 sensor			
Thermo-hygro channel sensor			
	No signal	Weak signal	Good signal

2. If the signal has discontinued and does not recover within 15 minutes, the signal icon will disappear. The temperature and humidity will display "Er" for the corresponding channel.
3. If the signal does not recover within 48 hours, the "Er" display will become permanent. You need to replace the batteries and then press [ **SENSOR / WI-FI** ] key to pair up the sensor again.

## VIEW THE OTHER CHANNELS (OPTIONAL FEATURE WITH ADD ON EXTRA SENSORS)

This console is capable to pair with a wireless 7-IN-1 sensor and up to 7 wireless thermo-hygro sensors. If you have 2 or more thermo-hygro sensors, you can press [ **CHANNEL** ] key to switch between different wireless channels in normal mode, or press and hold [ **CHANNEL** ] key for 2 seconds to toggle auto-cycle mode to display the connected channels at 4 seconds interval.

During auto-cycle mode, the icon will show on the thermo-hygro channel section of the console's

display. Press [ CHANNEL ] key to stop auto cycle and display the current channel.

## TREND INDICATOR

The trend indicator shows the trends of changes in the forthcoming few minutes. The icon will appear in temperature, humidity, index and baro section.



Rising



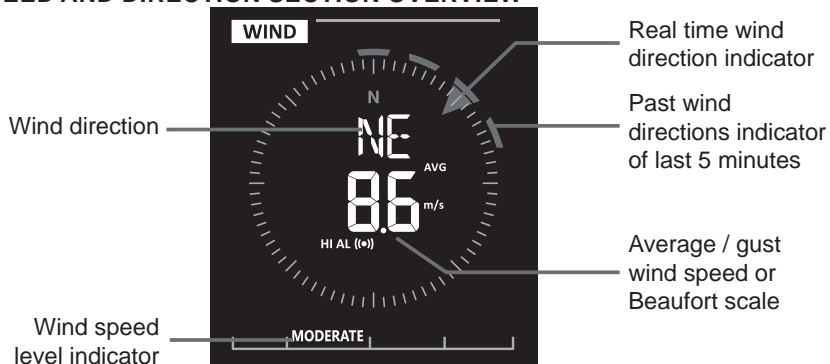
Steady



Falling

## WIND

### WIND SPEED AND DIRECTION SECTION OVERVIEW



### TO SET THE WIND SPEED UNIT AND DIRECTION DISPLAY FORMAT

1. In normal mode, press and hold [ WIND ] key for 2 seconds to enter into wind speed unit mode and the unit will flash. Press [ ^ ] or [ v ] key to change the wind speed unit in this sequence: m/s → km/h → knots → mph
2. Press [ WIND ] key again to enter wind direction setting mode. The wind direction reading will flash, and then press [ ^ ] or [ v ] key to select the display format between 360 degree or 16 direction.
3. Press [ WIND ] key again to return normal mode.

### TO SELECT THE WIND DISPLAY MODE

In normal mode, press [ WIND ] key to switch between **BEAUFORT** scale, **AVERAGE** and **GUST** wind speed.

### BEAUFORT SCALE TABLE

The Beaufort scale is an international scale of wind velocities ranging from 0 (calm) to 12 (Hurricane force).

Beaufort Scale	Description	Wind Speed	Land Condition
0	Calm	< 1 km/h	Calm. Smoke rises vertically.
		< 1 mph	
		< 1 knots	
		< 0.3 m/s	
1	Light air	1.1 ~ 5km/h	Smoke drift indicates wind direction. Leaves and wind vanes are stationary.
		1 ~ 3 mph	
		1 ~ 3 knots	
2	Light breeze	0.3 ~ 1.5 m/s	Wind felt on exposed skin. Leaves rustle. Wind vanes begin to move.
		6 ~ 11 km/h	
		4 ~ 7 mph	
		4 ~ 6 knots	
3	Gentle breeze	1.6 ~ 3.3 m/s	Leaves and small twigs constantly moving, light flags extended.
		12 ~ 19 km/h	
		8 ~ 12 mph	
		7 ~ 10 knots	
		3.4 ~ 5.4 m/s	

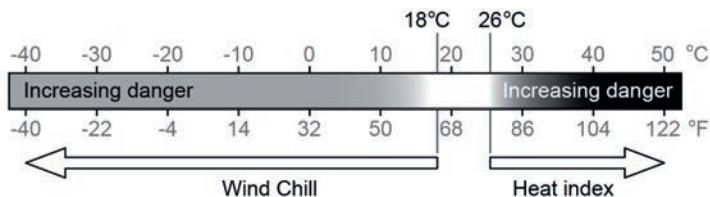
4	Moderate breeze	20 ~ 28 km/h	Dust and loose paper raised. Small branches begin to move.
		13 ~ 17 mph	
		11 ~ 16 knots	
		5.5 ~ 7.9 m/s	
5	Fresh breeze	29 ~ 38 km/h	Branches of a moderate size move. Small trees in leaf begin to sway.
		18 ~ 24 mph	
		17 ~ 21 knots	
6	Strong breeze	8.0 ~ 10.7 m/s	Large branches in motion. Whistling heard in overhead wires. Umbrella use becomes difficult. Empty plastic bins tip over.
		39 ~ 49 km/h	
		25 ~ 30 mph	
		22 ~ 27 knots	
7	High wind	10.8 ~ 13.8 m/s	Whole trees in motion. Effort needed to walk against the wind.
		50 ~ 61 km/h	
		31 ~ 38 mph	
8	Gale	28 ~ 33 knots	Some twigs broken from trees. Cars veer on road. Progress on foot is seriously impeded
		13.9 ~ 17.1 m/s	
		62 ~ 74 km/h	
		39 ~ 46 mph	
9	Strong gale	34 ~ 40 knots	Some branches break off trees, and some small trees blow over. Construction / temporary signs and barricades blow over.
		17.2 ~ 20.7 m/s	
		75 ~ 88 km/h	
		47 ~ 54 mph	
10	Storm	41 ~ 47 knots	Trees are broken off or uprooted, structural damage likely.
		20.8 ~ 24.4 m/s	
		89 ~ 102 km/h	
11	Violent storm	55 ~ 63 mph	Widespread vegetation and structural damage likely.
		48 ~ 55 knots	
		24.5 ~ 28.4 m/s	
		103 ~ 117 km/h	
12	Hurricane force	64 ~ 73 mph	Severe widespread damage to vegetation and structures. Debris and unsecured objects are hurled about.
		56 ~ 63 knots	
		28.5 ~ 32.6 m/s	
		≥ 118 km/h	
		≥ 74 mph	
		≥ 64 knots	
		≥ 32.7 m/s	
		≥ 32.7 m/s	

## WEATHER INDEX

At the WEATHER INDEX section, you can press [ **NDX** ] Index key to view different weather index in this sequence: **FEELS LIKE** → **DEW POINT** → **HEAT INDEX** → **WIND CHILL**.

## **FEELS LIKE**

Feels Like Temperature shows what the outdoor temperature will feel like. It's a collective mixture of Wind Chill factor (18°C or below) and the Heat Index (26°C or above). For temperatures in the region between 18.1°C to 25.9°C where both wind and humidity are less significant in affecting the temperature, the device will show the actual outdoor measured temperature as Feels Like Temperature.



## DEW POINT

- The dew point is the temperature below which the water vapor in air at constant barometric pressure condenses into liquid water at the same rate at which it evaporates. The condensed water is called *dew* when it forms on a solid surface.
- The dew point temperature is determined by the temperature & humidity data from wireless 7-IN-1 sensor.

## HEAT INDEX

The heat index which is determined by the wireless 7-IN-1 sensor's temperature & humidity data when the temperature is between 26°C (79°F) and 50°C (120°F).







Heat Index range	Warning	Explanation
27°C to 32°C (80°F to 90°F)	Caution	Possibility of heat exhaustion
33°C to 40°C (91°F to 105°F)	Extreme Caution	Possibility of heat dehydration
41°C to 54°C (106°F to 129°F)	Danger	Heat exhaustion likely
≥55°C (≥130°F)	Extreme Danger	Strong risk of dehydration / sun stroke

## WIND CHILL

A combination of the wireless 7-IN-1 sensor's temperature and wind speed data determines the current wind chill factor.

## WEATHER FORECAST

The device contains sensitive pressure sensor built-in with sophisticated and proven software that predicts weather for the next 12 ~ 24 hours within a 30 to 50 km (19-31 miles) radius.

					
Sunny/Clear	Slightly Cloudy	Cloudy	Rainy	Rainy/Stormy	Snowy

### Note:

- The accuracy of a general pressure-based weather forecast is about 70% to 75%.
- The weather forecast is meant for the next 12 hours, it may not necessarily reflect the current situation.
- The weather icon will flash on display when the rainstorm comes.
- The **SNOWY** weather forecast is not based on the atmospheric pressure, but based on the outdoor temperature. When the outdoor temperature is below -3°C (26°F), the **SNOWY** weather indicator will be displayed on the LCD.

## BAROMETRIC PRESSURE

The atmospheric pressure is the pressure at any location of the earth caused by the weight of the column of air above it. One atmospheric pressure refers to the average pressure and gradually decreases as altitude increases. Meteorologists use barometers to measure atmospheric pressure. Since variation in atmospheric pressure greatly affected by weather, it is possible to forecast the weather by measuring the changes in pressure.



### TO VIEW THE BAROMETRIC PRESSURE IN DIFFERENT UNIT

1. In normal mode, press and hold [ **BARO** ] key with 2 seconds enter unit setting mode.
2. Press [ **^** ] or [ **v** ] key to change the unit in sequence: hPa → inHg → mmHg

### TO SELECT ABSOLUTE OR RELATIVE BAROMETRIC PRESSURE MODE

In normal mode, press [ **BARO** ] key to switch between **ABSOLUTE / RELATIVE** barometric pressure.

## RAIN

The **RAINFALL** section shows the rainfall or rain rate information.

### TO SET THE RAINFALL UNIT

1. In normal mode, press and hold [ **RAIN** ] key for 2 seconds to enter unit setting mode.
2. Press [ **^** ] or [ **v** ] key to toggle the unit between mm and in (rainfall) or mm/h and in/h (rain rate).
3. Press [ **RAIN** ] key to confirm and exit the setting.

### TO SELECT THE RAINFALL DISPLAY MODE

Press [ **RAIN** ] key to toggle between:

1. **HOURLY** - the total rainfall in the past hour
2. **DAILY** - the total rainfall from midnight (default)
3. **WEEKLY** - the total rainfall of the current week
4. **MONTHLY** - the total rainfall of the current calendar month
5. **Total** - the total rainfall since the last reset
6. **Rate** - Current rainfall rate (base on 10 min rain data)

Period of rainfall



Rain rate level



Rain rate level definition:

Level 1:  
Light rain  
0.1 ~ 2.5 mm/h



Level 2:  
Moderate  
2.51 ~ 10.0 mm/h



Level 3:  
Heavy rain  
10.1 ~ 50.0 mm/h



Level 4  
Violent rain:  
> 50.0 mm/h



### TO RESET THE TOTAL RAINFALL RECORD

In normal mode, press and hold [ **HISTORY** ] key for 2 seconds to reset all the rainfall record.

### NOTE:

To ensure to have correct data, please reset all the rainfall record when you reinstall your wireless 7-IN-1 sensor to other location.

## LIGHT INTENSITY, UV INDEX & SUNBURN TIME

This section of display show the sunlight intensity, UV index and sunburn time. Press the [ **SUN** ] key to change the mode.

### LIGHT INTENSITY MODE:

1. During light intensity mode, press and hold [ **SUN** ] key for 2 seconds to enter unit setting
2. Press [ **^** ] or [ **v** ] key change the unit in sequence: Klux → Kfc → W/m<sup>2</sup>.
3. Press [ **SUN** ] key to confirm and exit the setting.



### UV INDEX MODE:

To show the current UV index detected by the outdoor sensor. Corresponding exposure level and suggested protection indicator are also displayed.

Suggest protection indicator





Exposure level

### SUNBURN TIME MODE:

To show the recommended sunburn time according to current UV level.



### UV INDEX & SUNBURN TIME TABLE

Exposure level	Low		Moderate			High		Very high			Extreme	
UV index	1	2	3	4	5	6	7	8	9	10	11	12~16
Sunburn time	N/A		45 minutes			30 minutes		15 minutes			10 minutes	
Recommended protection indicator	N/A		Moderate or high UV level! Suggest to wear sunglasses, broad brim hat and long-sleeved clothing.					Very high or Extreme UV level! Suggest to wear sunglasses, broad brim hat and long-sleeved clothing, If you have to stay outdoors, make sure to seek shade.				

### NOTE:

- The sunburn time is based on normal skin type, it is just a reference of UV strength. In general, the darker one's skin is, the longer (or more radiation) it takes to affect the skin.
- The light intensity function is for sunlight detection.

### MAX / MIN DATA RECORD

The console can record the accumulated MAX / MIN weather data with the corresponding time stamp for you to easy review.

### TO VIEW THE ACCUMULATED MAX / MIN

In normal mode, press [ **MAX / MIN** ] key to check MAX/MIN records in the following display sequence is: outdoor MAX temperature → outdoor MIN temperature → outdoor MAX humidity → outdoor MIN humidity → indoor or current channel MAX temperature → indoor or current channel MIN temperature → indoor or current channel MAX humidity → indoor or current channel MIN humidity → MAX average wind speed → MAX gust → MAX FEELS LIKE → MIN FEELS LIKE → MAX dew point → MIN dew point → MAX heat index → MIN heat index → MAX wind chill → MIN wind chill → MAX UV index → MAX light intensity → MAX relative pressure → MIN relative pressure → MAX absolute pressure → MIN absolute pressure → MAX rain rate.

### TO CLEAR THE MAX/MIN RECORDS

Press and hold [ **MAX / MIN** ] key for 2 seconds to reset the current on display MAX or MIN records.

### NOTE:

The LCD will also display the " **MAX** " / " **MIN** ", " **HISTORY** " icon, data records time & date.



## PAST 24 HOURS HISTORY DATA

The console automatically stores the weather data of the past 24 hours.

1. Press [ **HISTORY** ] key to check the beginning of the current hour's weather data, e.g. the current time is 7:25 am, March 8, the display will show the data of 7:00am, March 8.
2. Press [ **HISTORY** ] key repeatedly to view older readings of the past 24 hours, e.g. 6:00am (Mar 8), 5:00am (Mar 8), ..., 10:00am (Mar 7), 9:00am (Mar 7), 8:00am (Mar 7)

### **NOTE:**

The LCD will also display the " **HISTORY** " icon, history data records with time & date.

## WEATHER ALERT SETTING

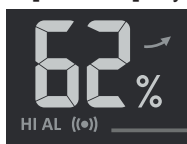
Weather Alert can alert you of certain weather conditions. Once the alert criterion is met, the alarm sound will activate and the alert icon on display will flash.

### **TO SET ALERT**

1. Press [ **ALERT** ] to select and display the desired weather alert reading in the table below:

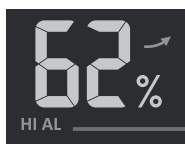
Alert Type	Setting Range	Display Section	Default
Outdoor Temperature High Alert	-40°C ~ 80°C	Outdoor temperature & humidity	40°C
Outdoor Temperature Low Alert			0°C
Outdoor Humidity High Alert	1% ~ 99%		80%
Outdoor Humidity Low Alert			40%
Thermo-hygro Current Channel Temperature High Alert	-40°C ~ 80°C	Indoor / CH temperature & humidity	40°C
Thermo-hygro Current Channel Temperature Low Alert			0°C
Thermo-hygro Current Channel Humidity High Alert	1% ~ 99%		80%
Thermo-hygro Current Channel Humidity Low Alert			40%
Average Wind Speed	0.1m/s ~ 50m/s	Wind direction & speed	17.2m/s
Feels Like High Alert	-65°C ~ 50°C	Weather index	20°C
Feels Like Low Alert			0°C
Dew point High Alert	-40°C ~ 80°C		10°C
Dew point Low Alert			-10°C
Heat Index High Alert	26°C ~ 50°C		30°C
Wind Chill Low Alert	-65°C ~ 18°C		0°C
UV index High Alert	1 ~ 16		UV & light intensity
Light intensity High Alert	0.01 ~ 200.0Klux	100Klux	
Pressure Drop	1hPa ~ 10hPa	Barometer	3hPa
Rain rate	1mm ~ 1000mm	Rain rate	100mm

2. Under the current alert reading, press and hold [ **ALERT** ] key for 2 seconds to enter alert setting and the alert reading will flash.
3. Press [ **^** ] or [ **v** ] key to adjust the value or press and hold the key to change rapidly.
4. Press [ **ALERT** ] key to confirm the value.
5. Press [ **ALARM** ] key to toggle the regarding alert on / off.
6. Press [ **ALERT** ] key to shift to next alert reading.



High / Low  
Alert on

**Alert on**



Alert off

**Alert off**

- Press any key on the front side to save alert on /off status and back to normal mode, or it will automatically back to normal mode after 30 seconds without pressing any key.

## TO SILENCE THE ALERT ALARM

Press [ALARM / SNOOZE] key to silence the alert alarm or let the alarm automatically turn off after 2 minutes.

### NOTE:

- Once the alert is triggered, the alarm will sound for 2 minutes and the related alert icon and readings will flash.
- If the alert alarm is automatically off after 2 minutes, the alert icon and readings will still keep flash until the weather reading is out of the alert range.
- The weather alert will sound again when the weather readings falls into the alert range again.

## BACK LIGHT

The main unit back light can be adjust, using the [ HI / LO / AUTO ] sliding switch to select the appropriate brightness:

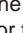
- Slide to the [ HI ] position for the brighter back light.
- Slide to the [ LO ] position for the dimmer back light.
- Slide to the [ AUTO ] position for the auto adjust back light that according to environment light level.

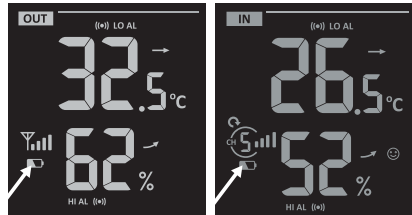
## DISPLAY CONTRAST

Press [ ^ / ⊙ ] key in normal mode to adjust LCD contrast in order to fit table stand or wall mount angle.

## MAINTENANCE

### BATTERY REPLACEMENT

When low battery indicator “” is displayed in OUT or CH section, it indicates that the outdoor 7-IN-1 sensor and/or current channel sensor battery power is low respectively. Please replace with new batteries.



### WIRELESS 7-IN-1 SENSOR MAINTENANCE



#### REPLACE THE WIND CUP

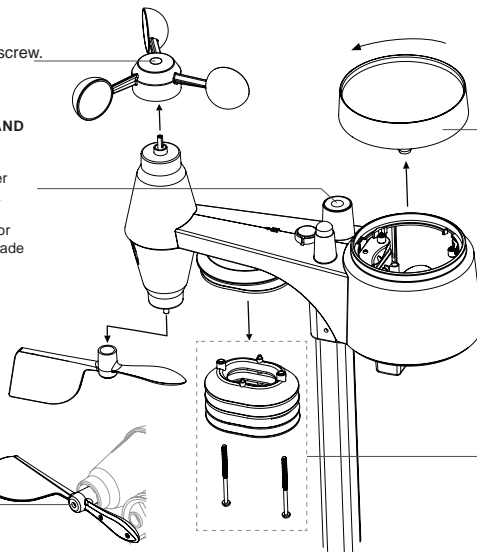
- Remove rubber cap and Unscrew.
- Remove the wind cup for replacement.

#### CLEANING THE UV SENSOR AND CALIBRATION

- For precision UV measurement, gentle clean the UV sensor cover lens with damp micro-fiber cloth.
- Over time, the UV sensor will naturally degrade. The UV sensor can be calibrated with a utility grade UV meter.

#### REPLACE THE WIND VANE

Unscrew and remove the wind vane for replacement.



#### CLEANING THE RAIN COLLECTOR

1. Rotate the rain collector by turning it 30° anti-clockwise.
2. Gently remove the rain collector.
3. Clean and remove any debris or insects.
4. Install the collector when it is clean and fully dried.

#### CLEANING THE HYGRO-THERMO SENSOR

1. Remove the 2 screws at the bottom of the radiation shield.
2. Gently pull out the bottom 4 shields.
3. Carefully remove any dirt or insects on the sensor and ventilation fan (do not let the sensors inside get wet).
4. Clean the shield with water to remove any dirt or insects.
5. Install all the parts back when they are clean and fully dried.

## TROUBLESHOOTING

Problems	Solution
7-in-1 wireless sensor is intermittent or no connection	<ol style="list-style-type: none"><li>1. Make sure the sensor is within the transmission range</li><li>2. If it still not work, reset the sensor and resynchronize with console.</li></ol>
Wireless thermo-hygro sensor is intermittent or no connection	<ol style="list-style-type: none"><li>1. Make sure the sensor is within the transmission range</li><li>2. Make sure the channel displayed match to the channel selection on sensor</li><li>3. If it still not work, reset the sensor and resynchronize with console.</li></ol>
No WI-FI connection	<ol style="list-style-type: none"><li>1. Check for WIFI symbol on the display, it should be always on.</li><li>2. Make sure you connect to 2.4G band but not 5G band of your WIFI router.</li></ol>
Data not reporting to Wunderground.com or weathercloud.net	<ol style="list-style-type: none"><li>1. Ensure your Station ID and Station Key are correct.</li><li>2. Ensure the date and time is correct on the tablet . If incorrect, you may be reporting old data, not real time data.</li><li>3. Ensure your time zone is set properly. If incorrect, you may be reporting old data, not real time data.</li></ol>
Wunderground Precip. Accum. Total graph offset 1 hour reset time, during summer daylight saving time	<ol style="list-style-type: none"><li>1. Ensure the time zone of the device on Wunderground set correctly</li><li>2. Ensure the time zone and DST on your console are correct.</li><li>3. If you located your station out of US time zone region in Wunderground, the DST will be invalid. To solve this issue, please turn off the DST function in console.</li></ol>
Rainfall is not correct	<ol style="list-style-type: none"><li>1. Please keep the rain collector clean</li><li>2. Make sure the tipping bucket inside can work smoothly</li></ol>
Temperature reading too high in the day time	<ol style="list-style-type: none"><li>1. Place the sensor in open area and at least 1.5m off the ground.</li><li>2. Make certain that the sensor is not too close to heat generating sources or strictures, such as buildings, pavement, walls or air conditioning units.</li></ol>
Some condensation beneath the UV sensor may occur overnight	This will disappear when temperature rises up under the sun and will not affect the performance of the unit.

## SPECIFICATIONS

### CONSOLE

#### General Specification

Dimensions (W x H x D)	202 x 138 x 38mm (7.9 x 5.4 x 1.5 in)
Weight	546.2g (with batteries)
Main power	DC 5V, 1A adaptor (Manufacturer: HUAXU Electronics Factory, Model: HX075-0501000-AB, HX075-0501000-AG-001 or HX075-050100-AX)
Backup battery	3 x AAA
Operating temperature range	-5°C ~ 50°C
Operating Humidity range	10~90% RH

#### WI-FI Communication Specification

Standard	802.11 b/g/n
Operating frequency :	2.4GHz
Supported router security type	WPA/WPA2/WPA3, OPEN, WEP (WEP only support Hexadecimal password)

Supported device for setup UI	Built-in WI-FI with AP mode function smart devices or laptops e.g.: Android smart phone, Android pad, iPhone, iPad or PC/Mac computer.
Recommended web browser for setup UI	Web browsers that support HTML 5, such as the latest version of Chrome, Safari, Edge, Firefox or Opera.
<b>Wireless Sensor side Communication Specification</b>	
Support sensors	- 1 Wireless 7-IN-1 weather outdoor sensor - Up to 7 Wireless hygro-thermo sensors (optional)
RF frequency	868Mhz (EU or UK version)
RF transmission range	150m
<b>Time Related Function Specification</b>	
Time display	HH: MM
Hour format	12hr AM / PM or 24 hr
Date display	DD / MM or MM / DD
Time synchronize method	Through Internet time server to synchronize the UTC
Weekday languages	EN / DE / FR / ES / IT / NL / RU
Time Zone	+13 ~ -12 hour
DST	AUTO / OFF
<b>Barometer (Note: Data detect by console)</b>	
Barometer unit	hPa, inHg and mmHg
Measuring range	540 ~ 1100hPa
Accuracy	(700 ~ 1100hPa $\pm$ 5hPa) / (540 ~ 696hPa $\pm$ 8hPa) (20.67 ~ 32.48inHg $\pm$ 0.15inHg) / (15.95 ~ 20.55inHg $\pm$ 0.24inHg) (525 ~ 825mmHg $\pm$ 3.8mmHg) / (405 ~ 522mmHg $\pm$ 6mmHg) Typical at 25°C (77°F)
Resolution	1hPa / 0.01inHg / 0.1mmHg
Weather forecast	Sunny / Clear, Slightly Cloudy, Cloudy, Rainy, Rainy / Stormy and Snowy
Memory modes	Historical data of past 24 hours, daily Max / Min
<b>Indoor Temperature (Note: Data detect by console)</b>	
Temperature unit	°C and °F
Accuracy	<0°C or >40°C $\pm$ 2°C (<32°F or >104°F $\pm$ 3.6°F) 0~40°C $\pm$ 1°C (32~104°F $\pm$ 1.8°F)
Resolution	°C / °F (1 decimal place)
Memory modes	Historical data of past 24 hours, daily Max / Min
<b>Indoor Humidity (Note: Data detect by console)</b>	
Humidity unit	%
Accuracy	1 ~ 20% RH $\pm$ 6.5% RH @ 25°C (77°F) 21 ~ 80% RH $\pm$ 3.5% RH @ 25°C (77°F) 81 ~ 99% RH $\pm$ 6.5% RH @ 25°C (77°F)
Resolution	1%
Memory modes	Historical data of past 24 hours, Max / Min
<b>Outdoor Temperature (Note: Data detect by 7-in-1 sensor)</b>	
Temperature unit	°C and °F
Accuracy	5.1 ~ 60°C $\pm$ 0.4°C (41.2 ~ 140°F $\pm$ 0.7°F) -19.9 ~ 5°C $\pm$ 1°C (-3.8 ~ 41°F $\pm$ 1.8°F) -40 ~ -20°C $\pm$ 1.5°C (-40 ~ -4°F $\pm$ 2.7°F)
Resolution	°C / °F (1 decimal place)
Memory modes	Historical data of past 24 hours, daily Max / Min
<b>Outdoor Humidity (Note: Data detect by 7-in-1 sensor)</b>	
Humidity unit	%

Accuracy	1 ~ 20% RH $\pm$ 6.5% RH @ 25°C (77°F) 21 ~ 80% RH $\pm$ 3.5% RH @ 25°C (77°F) 81 ~ 99% RH $\pm$ 6.5% RH @ 25°C (77°F)
Resolution	1%
Memory modes	Historical data of past 24 hours, Max / Min
<b>Wind Speed &amp; Direction (Note: Data detect by 7-in-1 sensor)</b>	
Wind speed unit	mph, m/s, km/h and knots
Wind speed display range	0 ~ 112mph, 50m/s, 180km/h, 97knots
Resolution	mph, m/s, km/h and knots (1 decimal place)
Speed accuracy	< 5m/s: +/- 0.5m/s; > 5m/s: +/- 6% (whichever is greater)
Display mode	Gust / Average
Memory modes	Historical Data of past 24 hours, Max Gust / Average
Wind direction display mode	16 directions or 360 degree
<b>Rain (Note: Data detect by 7-in-1 sensor)</b>	
Unit for rainfall	mm and in
Unit for rain rate	mm/h and in/h
Accuracy	$\pm$ 7% or 1 tip
Range	0 ~ 19999mm (0 ~ 787.3 in)
Resolution	0.4mm (0.0157in)
Memory modes	Historical Data of the past 24 hours, Max
Rain display mode	Rate / Hourly / Daily / Weekly / Monthly / Total rainfall
<b>UV INDEX (Note: Data detect by 7-in-1 sensor)</b>	
Display range	0 ~ 16
Resolution	1 decimal place
Display mode	UV index, sunburn time
Memory modes	Historical Data of past 24 hours, Max
<b>LIGHT INTENSITY (Note: Data detect by 7-in-1 sensor)</b>	
Light intensity unit	Klux, Kfc and W/m <sup>2</sup>
Display range	0 ~ 200Klux
Resolution	Klux, Kfc and W/m <sup>2</sup> (2 decimal place)
Memory modes	Historical Data of past 24 hours, Max
<b>Weather Index (Note: Data detect by 7-in-1 sensor)</b>	
Weather index mode	Feels like, Wind Chill, Heat Index and Dew point
Feels like display range	-65 ~ 50°C
Dew point display range	-20 ~ 80°C
Heat index display range	26 ~ 50°C
Wind chill display range	-65 ~ 18°C (wind speed >4.8km/h)
Memory modes	Historical Data of past 24 hours, Max / Min

## **WIRELESS 7-IN-1 SENSOR**

Dimensions (W x H x D)	343.5 x 393.5 x 136mm (13.5 x 15.5 x 5.35in) installed mounting
Weight	757g (with batteries)
Main power	3 x AA size 1.5V batteries (Lithium batteries recommended)
Weather data	Temperature, Humidity, Wind speed, Wind direction, Rainfall, UV and light intensity
RF transmission range	150m
RF frequency	868Mhz (EU or UK version)
Transmission interval	- 12 seconds for UV, light intensity, wind speed and wind direction data - 24 seconds for temperature, humidity and rain data

Operating temperature range	-40 ~ 60°C (-40 ~ 140°F) Lithium batteries required for low temperature
Operating humidity range	1 ~99% RH

## **DISPOSAL**

---

Dispose of the packaging materials properly, according to their type, such as paper or cardboard. Contact your local waste-disposal service or environmental authority for information on the proper disposal.



Do not dispose of electronic devices in the household garbage!

As per Directive 2012/19/EC of the European Parliament on waste electrical and electronic equipment and its adaptation into German law, used electronic devices must be collected separately and recycled in an environmentally friendly manner.



In accordance with the regulations concerning batteries and rechargeable batteries, disposing of them in the normal household waste is explicitly forbidden. Please make sure to dispose of your used batteries as required by law — at a local collection point or in the retail market. Disposal in domestic waste violates the Battery Directive. Batteries that contain toxins are marked with a sign and a chemical symbol. "Cd" = cadmium, "Hg" = mercury, "Pb" = lead.

## **EC DECLARATION OF CONFORMITY**

---

Hereby, Bresser GmbH declares that the equipment type with part number: 7003300 is in compliance with Directive: 2014/53/EU. The full text of the EU declaration of conformity is available at the following internet address: [http://www.bresser.de/download/7003300/CE/7003300\\_CE.pdf](http://www.bresser.de/download/7003300/CE/7003300_CE.pdf)

## **UKCA DECLARATION OF CONFORMITY**

---

Bresser GmbH has issued a "Declaration of Conformity" in accordance with applicable guidelines and corresponding standards. The full text of the UKCA declaration of conformity is available at the following internet address: [www.bresser.de/download/7003300/UKCA/7003300\\_UKCA.pdf](http://www.bresser.de/download/7003300/UKCA/7003300_UKCA.pdf)

**Bresser UK Ltd.** • Suite 3G, Eden House, Enterprise Way, Edenbridge, Kent TN8 6HF, Great Britain

## **WARRANTY & SERVICE**

---

The regular warranty period is 2 years and begins on the day of purchase. To benefit from an extended voluntary warranty period as stated on the gift box, registration on our website is required.

You can consult the full warranty terms as well as information on extending the warranty period and details of our services at [www.bresser.de/warranty\\_terms](http://www.bresser.de/warranty_terms).


# **INHALTSVERZEICHNIS**

---

ZU DIESER ANLEITUNG . . . . .	4
ALLGEMEINE WARNHINWEISE . . . . .	4
EINLEITUNG . . . . .	4
ÜBERSICHT . . . . .	5
BASISSTATION . . . . .	5
LCD-DISPLAY . . . . .	6
7-IN-1 FUNKSENSOR . . . . .	6
INSTALLATION UND EINRICHTUNG . . . . .	6
7-IN-1 FUNKSENSOR . . . . .	6
EINRICHTEN DER BASISSTATION . . . . .	8
SYNCHRONISIEREN SIE DEN/DIE ZUSÄTZLICHEN FUNKSENSOR(EN) (OPTIONAL) . . . . .	9
AUSRICHTEN DES 7-IN-1 FUNKSENSORS NACH SÜDEN . . . . .	10
ERSTELLEN EINES WETTERSERVER-ACCOUNTS & EINRICHTEN DER WLAN-VERBINDUNG 10	
WUNDERGROUND-KONTO ERSTELLEN . . . . .	10
WEATHERCLOUD-KONTO ERSTELLEN . . . . .	12
BENUTZERKONTO FÜR AWEKAS EINRICHTEN . . . . .	13
WLAN-VERBINDUNG EINRICHTEN . . . . .	13
EINRICHTEN DER VERBINDUNG ZUM WETTERSERVER . . . . .	15
ERWEITERTE EINSTELLUNGEN IM WEBINTERFACE . . . . .	16
SEHEN SIE SICH IHRE WETTERDATEN IN WUNDERGROUND AN . . . . .	17
ANZEIGEN IHRER WETTERDATEN IN DER WATHERCLOUD . . . . .	17
ANZEIGEN IHRER WETTERDATEN IN AWEKAS . . . . .	18
FIRMWARE-UPDATE . . . . .	18
ANDERE EINSTELLUNGEN & FUNKTIONEN DER BASISSTATION . . . . .	19
MANUELLE UHRZEITEINSTELLUNG . . . . .	19
WECKZEITEINSTELLUNG . . . . .	19
ALARM- UND TEMPERATUR-VORALARM-FUNKTIOAKTIVIEREN . . . . .	19
SONNENAUFGANG/SONNENUNTERGANG ZEIT . . . . .	20
MONDPHASE . . . . .	20
TEMPERATUR- / LUFTFEUCHTIGKEITSFUNKTIONEN . . . . .	20
TRENDINDIKATOR . . . . .	21
WIND . . . . .	21
WETTER-INDEX . . . . .	23
WETTERVORHERSAGE . . . . .	24
BAROMETRISCHER DRUCK . . . . .	24
REGEN . . . . .	24
LICHTINTENSITÄT, UV-INDEX UND SONNENBRANDZEIT . . . . .	25
MAX/MIN-DATENAUFZEICHNUNG . . . . .	26
HISTORIE-DATEN DER LETZTEN 24 STUNDEN . . . . .	26
WETTER-ALARM-EINSTELLUNG . . . . .	26
HINTERGRUNDBELEUCHTUNG . . . . .	28
LCD-KONTRAST . . . . .	28
WARTUNG . . . . .	28
BATTERIEWECHSEL . . . . .	28
WARTUNG DRAHTLOSER 7-IN-1-SENSOR . . . . .	28
FEHLERBEHEBUNG . . . . .	29
SPEZIFIKATIONEN . . . . .	29
BASISSTATION . . . . .	29
7-IN-1 FUNKSENSOR . . . . .	32
ENTSORGUNG . . . . .	32
EG-KONFORMITÄTSERKLÄRUNG . . . . .	32
GARANTIE & SERVICE . . . . .	32

## ZU DIESER ANLEITUNG

---

 Diese Betriebsanleitung ist als Bestandteil des Gerätes zu betrachten. Bitte lesen Sie vor der Nutzung des Geräts die Sicherheitshinweise und die Bedienungsanleitung aufmerksam durch. Bewahren Sie diese Bedienungsanleitung für die erneute Verwendung zu einem späteren Zeitpunkt auf. Bei Verkauf oder Weitergabe des Gerätes ist die Bedienungsanleitung an jeden nachfolgenden Besitzer/Benutzer des Produkts weiterzugeben. Dieses Produkt ist nur für den privaten Gebrauch bestimmt. Es wurde entwickelt als elektronisches Medium zur Nutzung multimedialer Dienste.

## ALLGEMEINE WARNHINWEISE

---

### ERSTICKUNGSGEFAHR!

Verpackungsmaterialien (Plastiktüten, Gummibänder, etc.) von Kindern fernhalten! Es besteht ERSTICKUNGSGEFAHR!

### GEFAHR EINES STROMSCHLAGS!

Dieses Gerät beinhaltet Elektronikteile, die über eine Stromquelle (Batterien) betrieben werden. Kinder sollten das Gerät nur unter Aufsicht benutzen. Die Nutzung darf nur erfolgen, wie in der Anleitung beschrieben, andernfalls besteht die GEFAHR eines STROMSCHLAGS!

### VERÄTZUNGSGEFAHR!!

Ausgelaufene Batteriesäure kann zu Verätzungen führen! Vermeiden Sie den Kontakt von Batteriesäure mit Haut, Augen und Schleimhäuten. Spülen Sie bei Kontakt mit der Säure die betroffenen Stellen sofort mit reichlich klarem Wasser ab und suchen Sie einen Arzt auf.

### FEUER-/EXPLOSIONSGEFAHR!

Benutzen Sie nur die empfohlenen Batterien. Gerät und Batterien nicht kurzschließen oder ins Feuer werfen! Durch übermäßige Hitze und unsachgemäße Handhabung können Kurzschlüsse, Brände und sogar Explosionen ausgelöst werden!

### **! HINWEIS!**

Bauen Sie das Gerät nicht auseinander! Wenden Sie sich im Falle eines Defekts bitte an Ihren Fachhändler. Er nimmt mit dem Service-Center Kontakt auf und kann das Gerät ggf. zur Reparatur einschicken.

Tauchen Sie das Gerät nicht in Wasser.

Setzen Sie das Gerät nicht übermäßiger Gewalt, Stößen, Staub, extremen Temperaturen oder hoher Luftfeuchtigkeit aus, da dies zu Fehlfunktionen, kürzerer elektronischer Lebensdauer, beschädigten Batterien und verzogenen Teilen führen kann.

Benutzen Sie nur die empfohlenen Batterien. Ersetzen Sie schwache oder verbrauchte Batterien immer durch einen komplett neuen Satz Batterien mit voller Kapazität. Verwenden Sie keine Batterien unterschiedlicher Marken, Typen oder unterschiedlich hoher Kapazität. Entfernen Sie die Batterien aus dem Gerät, wenn es längere Zeit nicht benutzt wird!

Der Hersteller haftet nicht für Schäden, die durch unsachgemäß installierte Batterien entstehen!

## EINLEITUNG

---

Vielen Dank, dass Sie sich für das WIFI Comfort Wetter Center mit 7-in-1-Profisensor entschieden haben. Dieses System sammelt und lädt automatisch genaue und detaillierte Wetterdaten auf die Weather Underground, Weathercloud oder AWEKAS Webseite hoch. Diese bekannten Wetterdienste ermöglichen es Wetterbeobachtern, ihre lokalen Wetterdaten mit automatisierten persönlichen Wetterstationen (PWS) hochzuladen und so Ihre Wetterdaten frei abzurufen. Dieses Produkt bietet professionellen Wetterbeobachtern oder ernsthaften Wetterliebhabern robuste Leistung mit einer Vielzahl von Optionen und Sensoren. Sie erhalten Ihre eigene lokale Vorhersage, mit aktuellen oder Höchst-/Tiefstwerten für nahezu alle Wettervariablen, auch ohne PC/Mac.

Der 7-in-1-Sensor, der Außentemperatur, Luftfeuchtigkeit, Wind, Regen, UV und Licht misst, überträgt zusammen mit bis zu 7 individuellen Temperatur-Feuchtigkeitssensoren, die sich kontinuierlich zu einem Sensor-Array von maximal 7 Einheiten



addieren können, Wetterdaten an die Basisstation. Beide Sensoren sind komplett vormontiert und kalibriert für eine einfache Inbetriebnahme. Sie senden die Daten über eine Niedrigenergie-Funkfrequenz im freien Gelände über eine Entfernung von bis zu 150m (450 Fuß) zur Basisstation (Sichtlinie).

Die Basisstation beinhaltet einen Hochgeschwindigkeitsprozessor, der die empfangenen Wetterdaten analysiert und diese Echtzeitdaten können über Ihren heimischen WLAN-Router auf [Wunderground.com](http://Wunderground.com), [weathercloud.net](http://weathercloud.net) oder [awekas.at](http://awekas.at) übertragen werden. Die Basisstation kann auch mit dem Internet-Zeitserver synchronisiert werden, um eine hochpräzise Zeit anzuzeigen und um den Zeitstempel der Wetterdaten zu erhalten. Das farbige LCD-Display zeigt informativ Wetteraufzeichnungen mit erweiterten Funktionen, wie z.B. Höchst-/Tiefstwert-Voralarm, verschiedene Wetter-Indexe und MAX/MIN-Aufzeichnungen. Mit den Funktionen zu Sonnenaufgang-/untergang und zur Mondphase ist dieses System wirklich eine bemerkenswerte Wetterstation sowohl für den Hobby- als auch den professionellen Bereich.

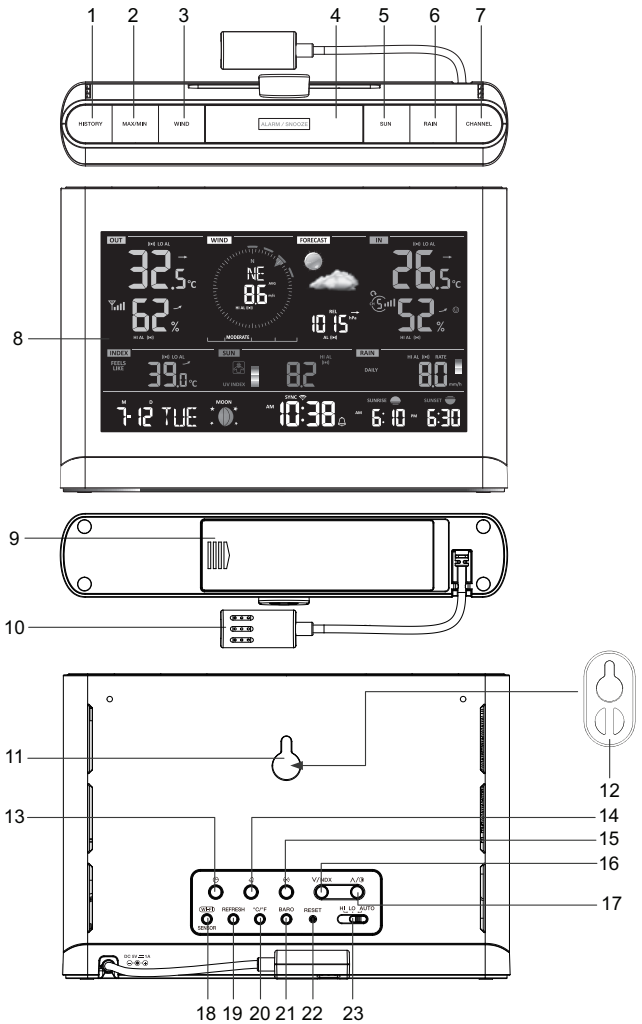
**HINWEIS:**

Diese Bedienungsanleitung enthält nützliche Informationen über den richtigen Gebrauch und die richtige Pflege dieses Produkts. Bitte lesen Sie dieses Handbuch durch, um seine Funktionen vollständig zu verstehen. Halten Sie die Bedienungsanleitung für den zukünftigen Gebrauch stets griffbereit.

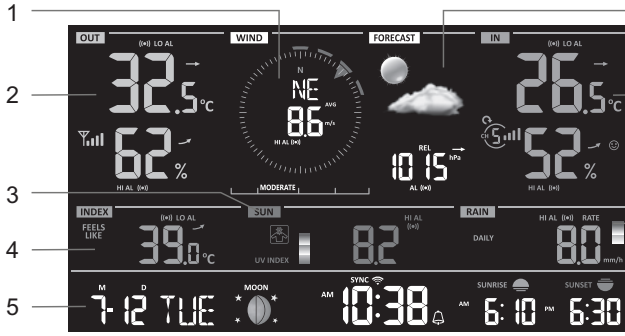
**ÜBERSICHT**

**BASISSTATION**

1. [ HISTORY ]-Taste
2. [ MAX / MIN ]-Taste
3. [ WIND ]-Taste
4. [ ALARM / SNOOZE ]-Taste
5. [ SUN ]-Taste
6. [ RAIN ]-Taste
7. [ CHANNEL ]-Taste
8. LCD-Display
9. Batteriefachabdeckung
10. Stromanschlussbuchse
11. Loch für Wandmontage
12. Wandhalterung ausfahren
13. [ CLOCK ]-Taste
14. [ ALARM ] Index -Taste
15. [ ALERT ] -Taste
16. [ V / NDX ] Taste
17. [ ^ / ● ] -Taste
18. [ SENSOR / WI-FI ] -Taste
19. [ REFRESH ] -Taste
20. [ °C / °F ]-Taste
21. [ BARO ] -Taste
22. [ RESET ] -Taste
23. [ HI / LO / AUTO ] Schiebeschalter



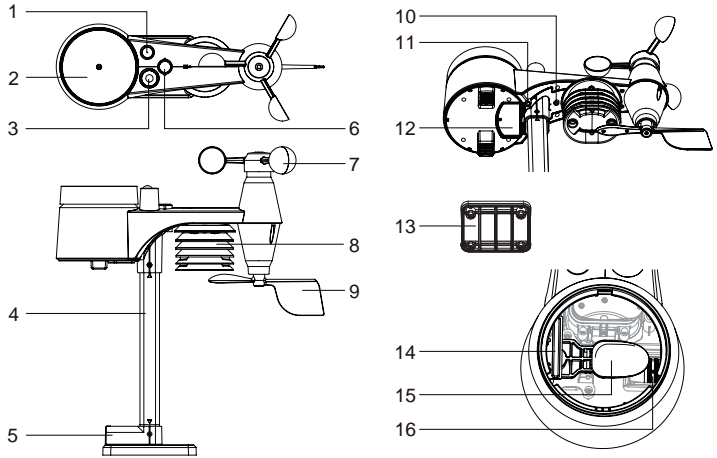
## LCD-DISPLAY



- 6 1. Windrichtung & -geschwindigkeit
2. Außentemperatur & -luftfeuchtigkeit
3. UV Index & Lichtintensität (Sonne)
4. Wetter-Index
5. Zeitkalender, Mondphase & Sonnenaufgang/ Sonnenuntergang
6. Wettervorhersage & Barometer
7. Innen-/Kanaltemperatur & -luftfeuchtigkeit
8. Niederschlag & Regenrate

## 7-IN-1 FUNKSENSOR

1. Antenne
2. Regensammler
3. UVI/Lichtsensoren
4. Montagessockel
5. Montagesockel
6. Balance-Anzeige
7. Windschalen
8. Sonnenschutz
9. Windfahne
10. Rote LED-Anzeige
11. [ RESET ]-Taste
12. Batteriefachabdeckung
13. Montageklemme
14. Regensensor
15. Kippbehälter
16. Abflusslöcher



## INSTALLATION UND EINRICHTUNG

Ihre Basisstation kann mit einem drahtlosen 7-in-1-Außensensor und bis zu 7 drahtlosen Thermo-Hygro-Sensoren gekoppelt werden. (Optional)

## 7-IN-1 FUNKSENSOR

Ihr 7-in-1 Funksensor misst Windgeschwindigkeit, Windrichtung, Niederschlag, UV Index, Lichtintensität, Temperatur und Luftfeuchtigkeit für Sie. Der Sensor ist komplett vormontiert und kalibriert, für eine einfache Inbetriebnahme.

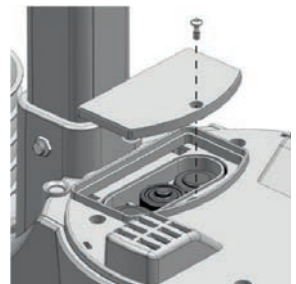
## BATTERIEN UND INSTALLATION

Schrauben Sie den Batteriefachdeckel an der Unterseite des Geräts ab und legen Sie die Batterien entsprechend der angegebenen +/- Polarität ein.

Schrauben Sie den Batteriefachdeckel fest an.

## HINWEIS:

- Stellen Sie sicher, dass der wasserdichte O-Ring richtig eingesetzt ist, um die Wasserdichtigkeit zu gewährleisten.
- Die rote LED beginnt alle 12 Sekunden zu blinken.



## MONTAGE DES STÄNDERS UND DER STANGE

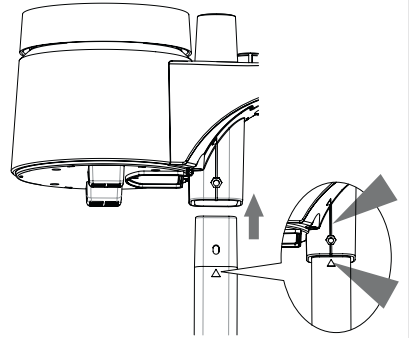
### Schritt 1

Stecken Sie die eine Seite der Stange in das quadratische Loch des Wettersensors.



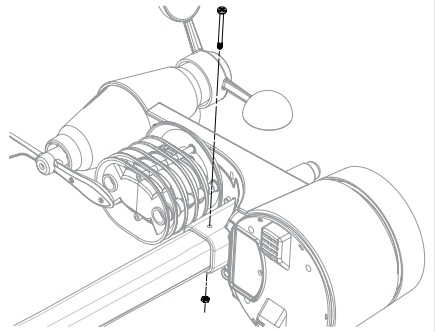
#### HINWEIS:

Vergewissern Sie sich, dass die Markierungen an Stange und Sensor übereinstimmen.



### Schritt 2

Setzen Sie die Mutter in das Sechskantloch des Sensors ein, setzen Sie dann die Schraube auf der anderen Seite ein und ziehen Sie sie mit dem Schraubendreher fest.



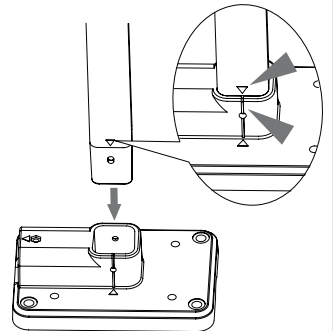
### Schritt 3

Stecken Sie die eine Seite der Stange in das quadratische Loch des Ständers.



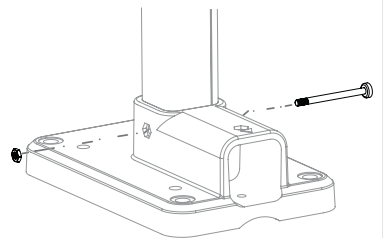
#### HINWEIS:

Vergewissern Sie sich, dass die Markierungen an Stange und Ständer übereinstimmen.

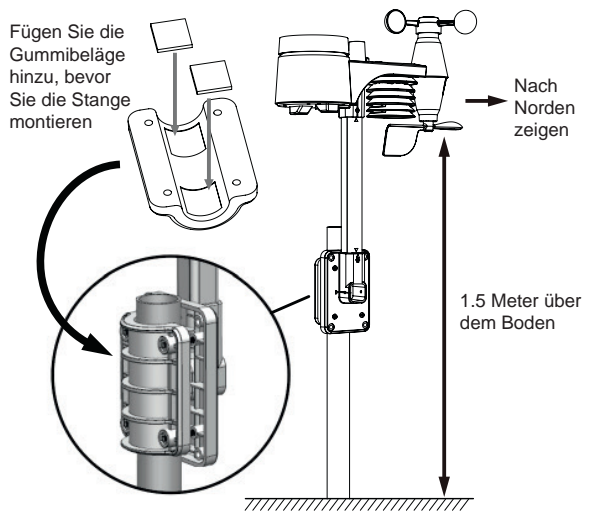


### Schritt 4

Setzen Sie die Mutter in das Sechskantloch des Ständers ein, setzen Sie dann die Schraube auf der anderen Seite ein und ziehen Sie sie mit dem Schraubendreher fest.

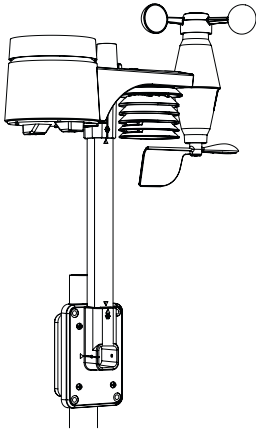


Installieren Sie den 7-in-1 Funksensor an einem frei zugänglichen Ort ohne Hindernisse über und um den Sensor herum, um eine genaue Regen- und Windmessung durchzuführen. Installieren Sie den Sensor so, dass das kleinere Ende nach Norden zeigt, um die Windrichtungsfahne richtig auszurichten. Befestigen Sie den Montagegeständer und die Halterung (im Lieferumfang enthalten) an einem Pfosten oder Mast mit mindestens 1,5 m Abstand zum Boden.

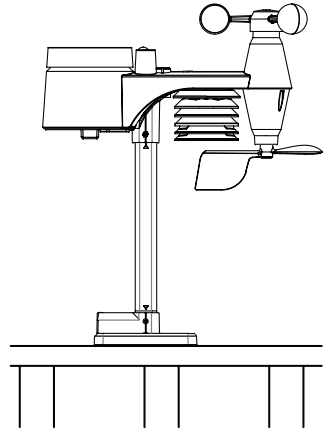


## MONTAGEANWEISUNGEN

1. Installieren Sie den 7-in-1 Funksensor mindestens 1,5 m über dem Boden für bessere und genauere Windmessungen.
2. Wählen Sie eine freie Fläche mit 150 Metern Entfernung zur Basisstation.
3. Installieren Sie den 7-in-1 Funksensor so flach wie möglich, um genaue Regen- und Windmessungen zu erhalten.
4. Montieren Sie den 7-in-1 Funksensor so, dass das Ende des Windmessers nach Norden zeigt, damit die Windfahne in der richtigen Richtung ausgerichtet ist.



A. Montage am Mast (Mastdurchmesser 1"~1,3")(25~33mm)



B. Montage auf dem Geländer

## EINRICHTEN DER BASISSTATION

Befolgen Sie das Verfahren zur Verbindung der Basisstation mit Sensor(n) und WIFI.

## INSTALLATION VON BACKUP-BATTERIEN

1. Entfernen Sie die Batteriefachabdeckung auf der Rückseite der Basisstation.
2. Legen Sie 3 neue AAA-Batterien ein.
3. Setzen Sie die Batteriefachabdeckung wieder ein.

### **Hinweis:**

- Die Backup-Batterie kann ein Backup durchführen: Zeit & Datum, Max/Min & Wetteraufzeichnungen der letzten 24 Stunden, Alarmeinstellwerte, Offset-Wert der Wetterdaten- und Sensor(en)kanal-Historie
- Der eingebaute Speicher kann ein Backup erstellen von: Router-Einstellung und Wetter-Server-Einstellung

### **INBETRIEBNAHME DER BASISSTATION**

1. Schließen Sie das Netzteil an, um die Basisstation einzuschalten.
2. Nach dem Einschalten des Hauptgerätes werden alle Segmente des LCD-Displays angezeigt.
3. Die Basisstation startet automatisch den AP-Modus.

### **HINWEIS:**

Wenn beim Einschalten der Basisstation keine Anzeige erscheint, können Sie die Taste [ **RESET** ] mit einem spitzen Gegenstand drücken. Wenn dieser Vorgang immer noch nicht funktioniert, können Sie die Backup-Batterie und das Netzteil entfernen und dann wieder einstecken, um die Basisstation erneut einzuschalten.

### **LCD-DISPLAY BLICKWINKEL EINSTELLEN**

Im Normalmodus die [ **^** ]- oder [ **v** ]-Taste drücken, um den Blickwinkel des LCD-Displays situationsbedingt für die Tischaufstellung oder die Wandmontage anzupassen.

### **EINGEBAUTER SPEICHER**

Die Basisstation verfügt über einen eingebauten FLASH-Speicher, in dem die wichtigsten Einstellungen gespeichert sind. Dazu gehören:

- *Zeitzone, (DST) Sommerzeit-Status, Status der Zeitsynchronisation, WIFI- und Wetterserver-Einstellung, Breitengrad / Längengrad, Hemisphären-Einstellung, Kalibrierungswerte und Sensor-ID des/der gekoppelten Sensors/Sensoren*

### **ZURÜCKSETZEN UND ZURÜCKSETZEN AUF WERKSEINSTELLUNG**

Um die Basisstation zurückzusetzen und neu zu starten, drücken Sie einmal die [ **RESET** ]-Taste oder entfernen Sie die Backup-Batterie und ziehen Sie dann das Netzteil ab. Um die Werkseinstellungen wiederherzustellen und alle Daten zu löschen, halten Sie die [ **RESET** ]-Taste 6 Sekunden lang gedrückt.

### **SENSOREN NEU SYNCHRONISIEREN**

Drücken Sie einmal die [ **SENSOR / WI-FI** ]-Taste, damit die Basisstation in den Sensor-Synchronisationsmodus wechselt. Die Basisstation registriert dann alle Sensoren neu, die bereits zuvor bei ihr registriert wurden, d. h. die Basisstation verliert nicht die Verbindung der Sensoren, die Sie zuvor gekoppelt hatte.

### **BATTERIEN WECHSELN UND VERBINDUNG MIT DEM SENSOR MANUELL HERSTELLEN**

Wenn Sie die Batterien des Funksensors wechseln, muss die Verbindung manuell aufgebaut werden.

1. Ersetzen Sie alle Batterien im Sensor durch neue.
2. Drücken Sie die [ **SENSOR / WI-FI** ]-Taste an der Basisstation, um den Sensor-Synchronisationsmodus aufzurufen.
3. Drücken Sie die Taste [ **RESET** ] am drahtlosen Thermo-Hygro- oder 7-in-1 Sensor.

### **SYNCHRONISIEREN SIE DEN/DIE ZUSÄTZLICHEN FUNKSENSOR(EN) (OPTIONAL)**

Diese Basisstation unterstützt bis zu 7 zusätzliche Funksensoren.

1. Drücken Sie die [ **SENSOR / WI-FI** ]-Taste an der Basisstation, um den Synchronisationsmodus aufzurufen.
2. Drücken Sie die Taste [ **RESET** ] am neuen Sensor und warten Sie ein paar Minuten, bis der neue Sensor mit der Basisstation gekoppelt ist.

### **HINWEIS:**


- Die Kanalnummer des zusätzlichen Drahtlosen Thermo-Hygroensors darf bei den Sensoren nicht

doppelt vergeben werden.

- Diese Basisstation unterstützt verschiedene Arten von zusätzlichen Funksensoren, z.B. Bodenfeuchtigkeits- und Poolsensoren. Wenn Sie weitere Sensoren koppeln möchten, erkundigen Sie sich bitte bei Ihrem Händler nach weiteren Einzelheiten.

## AUSRICHTEN DES 7-IN-1 FUNKSENSORS NACH SÜDEN

Für eine maximale Genauigkeit wurde der 7-in-1 Außensensor für die Ausrichtung nach Norden kalibriert. Für den Anwender (z.B. Anwender auf der Südhalbkugel) ist es jedoch möglich, den Sensor mit der nach Süden gerichteten Windfahne zu verwenden.

1. Installieren Sie den 7-in-1 Funksensor so, dass das Ende des Windmessers nach Süden zeigt. (siehe **7-in-1 Funkwetterensor EINRICHTEN** für Einzelheiten zur Montage).
2. Wählen Sie "S" im Abschnitt "Hemisphäre" auf der Einrichtungsseite der Benutzeroberfläche. (Einzelheiten zur Einrichtung finden Sie im Abschnitt **EINRICHTEN DER WETTERSERVERVERBINDUNG**).
3. Drücken Sie das  Symbol zum Bestätigen und Beenden.

### **HINWEIS:**

Der Wechsel der Hemisphären-Einstellung führt automatisch zum Wechsel der Mondphasen-Ausrichtung auf dem LCD-Display.

## ERSTELLEN EINES WETTERSERVER-ACCOUNTS & EINRICHTEN DER WLAN-VERBINDUNG

Die Basisstation kann Wetterdaten auf WUnderground, Weathercloud und/oder AWEKAS über den WLAN Router hochladen. Folgen Sie den nächsten Schritten, um Ihr Gerät einzurichten.

### **HINWEIS:**

Änderungen an den Webseiten WUnderground, Weathercloud und AWEKAS sind möglich.

## WUNDERGROUND-KONTO ERSTELLEN

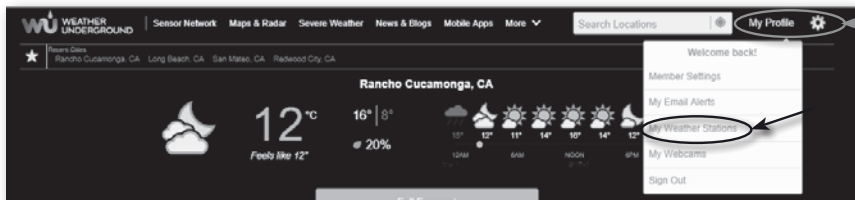
1. Klicken Sie unter <https://www.wunderground.com> auf "Join" ("Beitreten") in der rechten oberen Ecke, um die Registrierungsseite zu öffnen. Folgen Sie den Anweisungen, um Ihr Konto zu erstellen.



### **HINWEIS:**

Verwenden Sie eine gültige E-Mail-Adresse, um Ihr Konto zu registrieren.

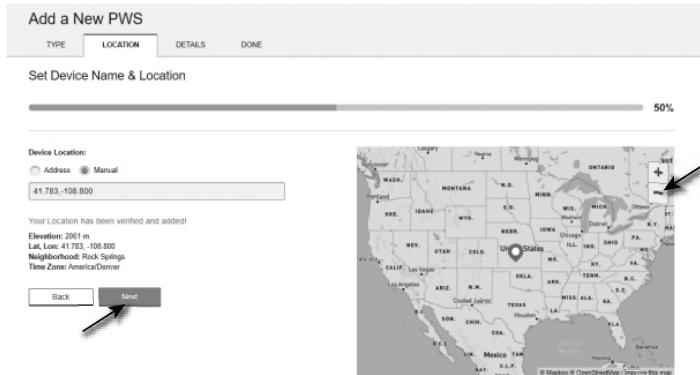
2. Nachdem Sie Ihr Konto erstellt und die E-Mail-Validierung abgeschlossen haben, gehen Sie bitte zurück zur WUnderground Webseite, um sich anzumelden. Klicken Sie dann oben auf die Schaltfläche "My Profile" ("Mein Profil"), um das Dropdown-Menü zu öffnen, und klicken Sie auf "My Weather Station" ("Meine Wetterstation").



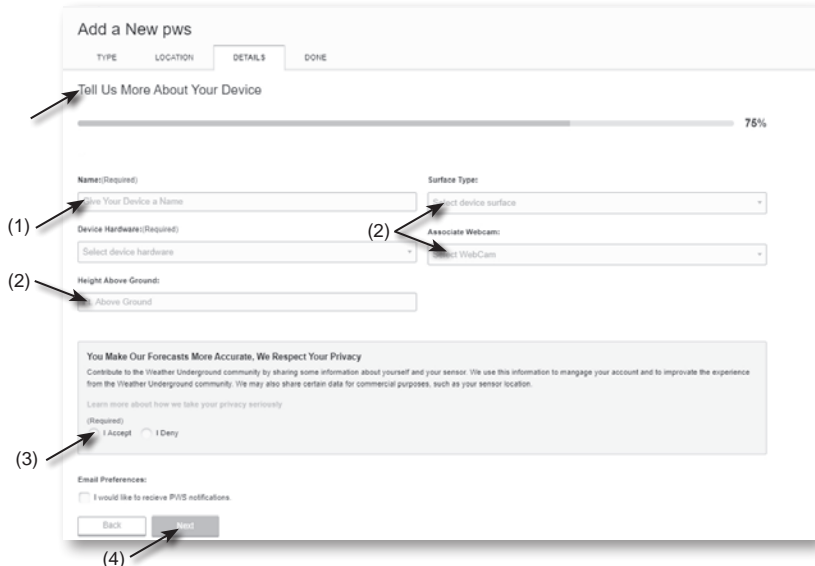
3. Unten auf der Seite "Meine Wetterstation", bitte die Schaltfläche "Neues Gerät hinzufügen" anklicken, um Ihr Gerät hinzuzufügen.
4. Wählen Sie im Schritt "Gerätetyp auswählen" in der Liste „Other“ (Andere) und drücken Sie dann auf „Next“ (Weiter).



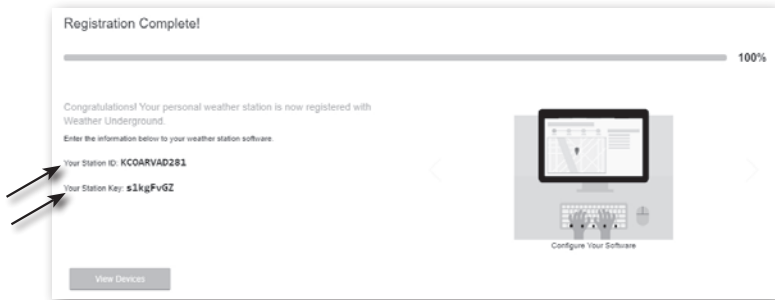
- Wählen Sie im Schritt "Gerätename & Standort festlegen" Ihren Standort auf der Karte aus und drücken Sie dann auf „Next“ (Weiter).



- Folgen Sie den Anweisungen zur Eingabe Ihrer Stationsinformationen, im Schritt "Mehr über Ihr Gerät", (1) geben Sie einen Namen für Ihre Wetterstation ein. (2) Tragen Sie die anderen Informationen ein (3) wählen Sie **I Accept** (Ich akzeptiere), um die Datenschutzbestimmungen von Weather underground zu akzeptieren, (4) klicken Sie auf **Next** (Weiter), um Ihre Stations-ID und Ihren Schlüssel zu erstellen.

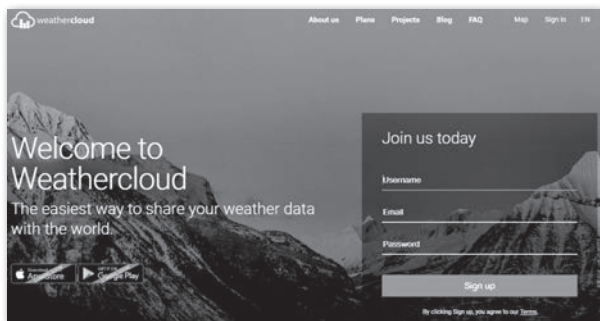


- Notieren Sie sich Ihre "Station ID" und den "Station Key" für die weiteren Einrichtungsschritte.



## WEATHERCLOUD-KONTO ERSTELLEN

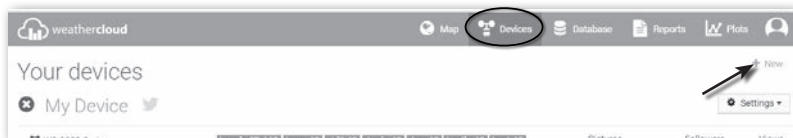
1. Geben Sie unter <https://weathercloud.net> Ihre Daten im Abschnitt "Join us today" ("Heute beitreten") ein und folgen Sie dann den Anweisungen zur Erstellung Ihres Kontos.



### HINWEIS:

Verwenden Sie eine gültige E-Mail-Adresse, um Ihr Konto zu registrieren.

2. Melden Sie sich bei weathercloud an und gehen Sie dann auf die Seite "Devices" ("Geräte"), klicken Sie auf "+ New" ("+ Neu"), um ein neues Gerät zu erstellen.



3. Geben Sie alle Informationen auf der Seite "**Neues Gerät erstellen**" ein, wählen Sie für das Auswahlfeld "**Modell\***" die "**W100-Serie**" unter dem Abschnitt "**CCL**". Wählen Sie für das Auswahlfeld "Verknüpfungstyp\*" die "EINSTELLUNGEN", klicken Sie anschließend auf **Erstellen**.



4. Notieren Sie sich Ihre ID und Ihren Schlüssel für die weiteren Einrichtungsschritte.


### **BENUTZERKONTO FÜR DEN WETTERDIENST AWEKAS EINRICHTEN**

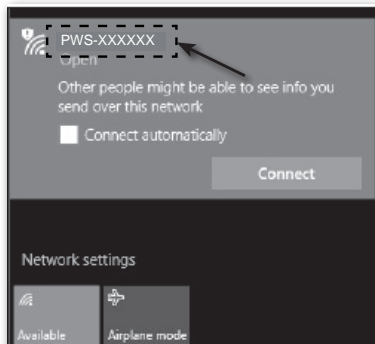
1. Folgende Webadresse in die Adresszeile des Webbrowsers eingeben: <https://join.awekas.at>
2. Füllen Sie dort alle benötigten Angaben aus, um sich bei dem Wetterdienst ‚AWEKAS‘ zu registrieren. Lesen Sie hierzu auch die ausführliche Zusatzanleitung, die Sie über den folgenden Weblink herunterladen können:  
[http://archive.bresser.de/download/awekas/7003300/7003300\\_AWEKAS-Setup\\_de.pdf](http://archive.bresser.de/download/awekas/7003300/7003300_AWEKAS-Setup_de.pdf)
3. Notieren Sie sich folgende Angaben:
  - Benutzername
  - Passwort
  - Geografische Breite (Breitengrad) in Dezimalgrad (zB. 48.30591)
  - Geografische Breite (Längengrad) in Dezimalgrad (zB. 14.2862)

**HINWEIS! Für die Registrierung ist eine gültige E-Mail-Adresse, auf die Sie Zugriff haben müssen, zwingend erforderlich, da die Einrichtung und Nutzung des Dienstes sonst nicht möglich ist!**

4. Richten Sie nach Abschluss der Registrierung bei ‚AWEKAS‘ die WLAN-Verbindung für Ihre Wetterstation ein (siehe Kapitel ‚Konfiguration/Einrichtung einer WLAN-Verbindung‘) und nehmen Sie die in der Zusatzanleitung beschriebenen Einstellungen für die „Einrichtung der Basisstation zur Übermittlung von Wetterdaten an awekas.at“ vor.

## WLAN-VERBINDUNG EINRICHTEN

1. Wenn Sie die Basisstation zum ersten Mal einschalten, zeigt der LCD Bildschirm das blinkende "AP"- und "  "-Symbol an, um anzuzeigen, dass sie sich im AP-Modus (Access Point) befindet und für die WI-FI-Einstellungen bereit ist. Der Benutzer kann auch die Taste [ **SENSOR / WI-FI** ] 6 Sekunden lang gedrückt halten, um manuell in den AP-Modus zu gelangen.
2. Verwenden Sie ein Smartphone, Tablet oder Computer, um die Basisstation mit dem WLAN zu verbinden.
3. Wählen Sie im PC/Mac die WI-FI (WLAN)-Netzwerkeinstellungen oder im Android / iOS die Einstellung → WI-FI, um die SSID der Basisstation auszuwählen: *PWS-XXXXXX* in der Liste und es wird einige Sekunden dauern, bis die Verbindung hergestellt ist.



PC (Windows 10) WLAN Netzwerkschnittstelle



Android WLAN Netzwerkschnittstelle

4. Geben Sie nach der Verbindung die folgende IP-Adresse in die Adressleiste Ihres Internetbrowsers ein, um auf die Weboberfläche der Basisstation zuzugreifen:  
**http://192.168.1.1**

## HINWEIS

- Einige Browser behandeln **192.168.1.1** wie eine Suche. Stellen Sie daher sicher, dass Sie auch **http://** vor der IP-Adresse eingeben.
- Empfohlene Browser, wie z.B. die neueste Version von Chrome, Safari, Edge, Firefox oder Opera.
- WI-FI-Netzwerkschnittstelle von PC / Mac oder Mobiltelefon vorbehaltlich Änderungen.

## STATUS DER WLAN-VERBINDUNG

Nachfolgend finden Sie den Status des WLAN Symbols auf dem LCD Display der Basisstation

		
Stabil: Die Basisstation ist in Verbindung mit dem WLAN Router	Blinkend: Die Basisstation versucht, sich mit dem WLAN Router zu verbinden	Blinkend: Die Basisstation befindet sich derzeit im Access Point (AP)-Modus

# EINRICHTEN DER VERBINDUNG ZUM WETTERSERVER

Geben Sie die folgenden Informationen in die untenstehende Weboberfläche "SETUP" ein, um die Basisstation mit dem Wetterserver zu verbinden. Wenn Sie Wunderground.com oder Weathercloud.net nicht verwenden möchten, leeren Sie bitte die Stationskennung und den Schlüssel, um den Datenupload zu ignorieren.

SETUP-Seite

Drücken Sie das Symbol "ADVANCED" um auf die Seite mit den erweiterten Einstellungen zu gelangen.

Sprache der Setup-Benutzeroberfläche auswählen

WLAN/Netzwerk (SSID) für Verbindung auswählen

Manuelle Eingabe der SSID, falls nicht in der Liste enthalten

Wählen Sie den Sicherheitstyp des Routers (normalerweise WPA2)

WLAN/Netzwerk-Passwort (leer lassen, wenn die Sicherheitseinstellung "Offen" ist)

Reserviert für gültigen Wetterserver (z.B. AWEEKAS), Details bitte mit Ihrem Händler klären. Für Awekas bitte folgende URL eingeben: <http://ws.awekas.at>

Neue Station-ID und Passwort eingeben, für den von Ihnen ausgewählten Wetterserver.

Zeitserver wählen

Wählen Sie die Zeitzone Ihres Standorts

Wählen Sie die Richtung (z.B. EU-Länder Längengrad ist Osten und USA ist Westen)

Wählen Sie die Hemisphäre aus, in der sich der Sensor befindet (z. B. US und EU-Länder sind "N", Australien ist "S").

Drücken Sie diese Taste, um die Einrichtung abzuschließen

Drücken Sie diese Taste, um den Router zu suchen

Drücken Sie diese Taste, um das manuelle Hinzufügen des Routers zu ermöglichen

Neue Stations-ID und Passwort eingeben, die von Wunderground zugewiesen wurden

Neue Stations-ID und Passwort eingeben, die von weathercloud zugewiesen wurden

Geben Sie den Breitengrad ein

Geben Sie den Längengrad ein

WIFI Firmware Version

## HINWEIS:

- Wenn die WLAN Einrichtung abgeschlossen ist, nimmt Ihr PC/Mac oder Handy die standardmäßige WLAN Verbindung wieder auf.
- Während des AP-Modus können Sie die [ **WI-FI** ]-Taste 6 Sekunden lang gedrückt halten, um den AP-Modus zu stoppen, und die Basisstation stellt Ihre vorherige Einstellung wieder her.

## ZEITZONE

Um die Zeit Ihrer Zeitzone anzuzeigen, stellen Sie die Zeitzone auf der SETUP-Seite von '0:00' (Standard) auf Ihre Zeitzone (z.B. +1:00 für Deutschland) um.

Time server setup

Server URL:

Time Zone:

## ZEITSERVER-VERBINDUNGSSTATUS

Nachdem die Basisstation eine Verbindung zum Internet hergestellt hat, wird sie versuchen, sich mit dem Internet-Zeitserver zu verbinden, um die UTC-Zeit zu erhalten. Sobald die Verbindung erfolgreich hergestellt wurde und die Zeit der Basisstation aktualisiert wurde, erscheint das Symbol "SYNC" auf der LCD-Anzeige.



Die Uhrzeit wird automatisch jeden Tag um 12 und 24 Uhr mit dem Internet-Zeitserver synchronisiert. Sie können auch die [ REFRESH ]-Taste drücken, um die Internetzeit innerhalb von 1 Minute manuell zu erhalten.

## ERWEITERTE EINSTELLUNGEN IM WEBINTERFACE

Drücken Sie die "ADVANCED"-Taste oben im Webinterface, um auf die Seite für die erweiterten Einstellungen zu gelangen. Diese Seite ermöglicht es Ihnen, die Kalibrierungsdaten der Basisstation einzustellen und anzuzeigen, außerdem können Sie hier die Firmware über den PC/Mac-Webbrowser aktualisieren.

ADVANCED Seite (Erweiterte Einstellungen)

Drücken Sie das "SETUP"-Symbol auf die Setup-Seite zu gelangen

Einstellungseinheit auswählen

Abschnitt für Innen-/Außen- und Ch 1-7 Temperaturkalibrierung

Abschnitt für Innen-/Außen- und Ch 1-7 Luftfeuchtigkeitskalibrierung

Druckkalibrierung

Einstellungseinheit auswählen

Der aktuelle Versatzwert ist der Wert, den Sie zuvor eingestellt haben, um den Druckwert zu korrigieren.

Die Regen-, Windgeschwindigkeits-, UV- und Lichtkalibrierung verwendet die Verstärkungsmethode. Die Windrichtung ist um +/- 10 versetzt.

Aktuelle Firmware-Version

Die Firmware-Update-Funktion ist nur im PC-Webbrowser verfügbar

**SETTINGS**

SETUP **ADVANCED**

Temperature  Humidity %

Indoor  Current offset: 0

Outdoor  Current offset: 0

CH 1  Current offset: 0

CH 2  Current offset: 0

CH 3  Current offset: 0

CH 4  Current offset: 0

CH 5  Current offset: 0

CH 6  Current offset: 0

CH 7  Current offset: 0

Range: -20.0 ~ 20.0°C  
-36.0 ~ 36.0°F (Default: 0.0)

Range: -20 ~ 20  
(Default: 0.0)

Pressure

Absolute Pressure Offset:  (Default: 0)

Relative Pressure Offset:  (Default: 0)

Setting Range: -560 ~ 560hpa / -16.54 ~ 16.54inHg / -420 ~ 420mmHg

\*Rain gain:  Current gain: 0.85  
Range: 0.5 ~ 1.5(Default: 1.00)

\*Wind speed gain:  Current gain: 0.75  
Range: 0.5 ~ 1.5(Default: 1.00)

\*Wind direction:  Current offset: 2  
Range: -10 ~ 10(Default: 0)

\*UV gain:  Current gain: 1.1  
Range: 0.01 ~ 10(Default: 1.00)

\*Light gain:  Current gain: 1.1  
Range: 0.01 ~ 10(Default: 1.00)

\* Depends on the model

Firmware version: 1.00

Browse

Upload

## KALIBRIERUNG

1. Der Benutzer kann den Versatzwert- und Verstärkungswert für verschiedene Messparameter eingeben oder ändern, während die aktuellen Offset- und Verstärkungswerte neben den entsprechenden Feldern angezeigt werden.

2. Sobald Sie fertig sind, drücken Sie **Apply** unten auf der SETUP-Seite. Der aktuelle Versatz-Wert zeigt den vorherigen Wert, den Sie eingegeben haben, wenn Sie ihn ändern möchten, geben Sie einfach den neuen Wert in das Feld ein, der neue Wert wird gültig, sobald Sie das Symbol **Apply** auf der Einrichtungsseite drücken.

## HINWEIS:

- Eine Kalibrierung der meisten Parameter ist nicht erforderlich, mit Ausnahme des Relativdrucks, der auf Meereshöhe kalibriert werden muss, um Höheneffekte zu berücksichtigen.

## SEHEN SIE SICH IHRE WETTERDATEN IN WUNDERGROUND AN

Um die Live-Daten Ihrer Wetterstation zu Temperatur, Luftfeuchtigkeit, Baro-UV und Lichtintensität in einem Webbrowser (PC- oder mobile Version) anzuzeigen, besuchen Sie bitte <http://www.wunderground.com> und geben Sie dann Ihre "Station ID" in das Suchfeld ein. Ihre Wetterdaten werden auf der nächsten Seite angezeigt. Sie können sich auch in Ihr Konto einloggen, um die aufgezeichneten Daten Ihrer Wetterstation anzuzeigen und herunterzuladen.




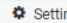
Eine weitere Möglichkeit, Ihre Station anzuzeigen, ist die URL-Leiste des Webbrowsers, die Sie unten in die URL-Leiste eingeben können:

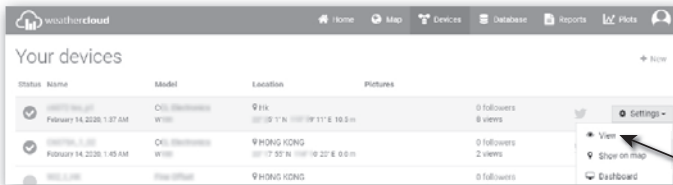
<https://www.wunderground.com/dashboard/pws/XXXX>

Ersetzen Sie XXXX durch Ihre Wunderground Station ID, um direkt zur Live-Ansicht Ihrer Station zu gelangen.

Sie können auch die Website von Weather Underground besuchen, um mehr über deren mobile App für Android und iOS zu erfahren.

## ANZEIGEN IHRE WETTERDATEN IN DER WATHERCLOUD

1. Um die Live-Daten Ihrer Wetterstation für Temperatur, Luftfeuchtigkeit, Baro UV und Lichtintensität in einem Webbrowser (PC- oder mobile Version) anzuzeigen, besuchen Sie bitte <https://weathercloud.net> und melden Sie sich mit Ihrem eigenen Konto an.
2. Klicken Sie auf das Symbol  im Pulldown-Menü  Ihres Senders.



3. Klicken Sie auf das Symbol "**Current**" ("Aktuell"), "**Wind**", "**Evolution**" ("Evolution") oder "**Inside**" ("Innen"), um die Live-Daten Ihrer Wetterstation anzuzeigen.



## ANZEIGEN IHRER WETTERDATEN IN AWEKAS




1. Um die Live-Daten Ihrer Wetterstation in einem Webbrowser anzuzeigen, besuchen Sie bitte die Webseite <https://my.awekas.at> und geben dann Ihren AWEKAS Benutzernamen, Ihr AWEKAS Passwort und die Antwort auf die Sicherheitsfrage ein. Sie können die Funktion „Autologin“ aktivieren, um die Benutzer und Passwortabfrage in Zukunft zu unterbinden.
2. Nach Klick auf „Login“ gelangen Sie zu Ihrer AWEKAS Instrumentenseite.

## FIRMWARE-UPDATE

Die Basisstation unterstützt die Aktualisierung der OTA-Firmware. Die Firmware kann jederzeit (bei Bedarf) über einen Webbrowser auf einem PC/Mac mit Wi-Fi-Konnektivität per Funk aktualisiert werden. Die Update-Funktion ist jedoch nicht für Mobil-/Smartgeräte verfügbar.



## SCHRITTE ZUM FIRMWARE-UPDATE

1. Laden Sie die neueste Firmware-Version auf Ihren PC/Mac herunter.
2. Stellen Sie die Basisstation in den AP-Modus (Access Point) und verbinden Sie den PC/ Mac mit der Basisstation (siehe Abschnitt "WLAN-VERBINDUNG EINRICHTEN" auf der vorherigen Seite).
3. Klicken Sie auf  im Abschnitt Firmware-Update und suchen Sie nach dem Speicherort der Datei, die Sie in Schritt 1 heruntergeladen haben. Um die WLAN Firmware zu aktualisieren, klicken Sie auf  im Bereich WLAN Firmware.
4. Klicken Sie auf das entsprechende Symbol , um die Übertragung der Firmware-Datei auf die Basisstation zu starten.
5. In der Zwischenzeit führt die Basisstation das Update automatisch aus und zeigt den Fortschritt des Updates auf dem Display an (d.h. 100 ist abgeschlossen).

Die Aktualisierungszeit beträgt ca. 5 ~ 10 Minuten.

6. Die Basisstation wird neu gestartet, sobald das Update abgeschlossen ist.
7. Die Basisstation bleibt im **AP-Modus**, damit Sie die Firmware-Version und alle aktuellen Einstellungen überprüfen können.



## HINWEIS!

- Die Stromversorgung des Geräts während des Firmware-Updates unbedingt aufrechterhalten!
- Stellen Sie sicher, dass die WLAN Verbindung Ihres PCs/Macs funktioniert und stabil ist.
- Während des Updates den PC und die Basisstation nicht bedienen, bis das Update abgeschlossen ist.
- Während des Firmware-Updates stoppt die Basisstation das Hochladen von Daten auf den Cloud-Server. Die Basisstation wird sich wieder mit Ihrem WLAN Router verbinden und die Daten nach dem erfolgreichen Update erneut hochladen. Wenn die Basisstation keine Verbindung zu Ihrem Router herstellen kann, rufen Sie bitte die SETUP-Seite auf, um sie erneut einzurichten.
- Wenn nach dem Firmware-Update die Setup-Informationen fehlen, geben Sie die Setup-Informationen bitte erneut ein.
- Der Prozess der Firmware-Aktualisierung birgt ein potenzielles Risiko, das keinen 100%igen Erfolg garantieren kann. Wenn das Update fehlschlägt, wiederholen Sie bitte den obigen Schritt, um das Update erneut durchzuführen.

## ANDERE EINSTELLUNGEN & FUNKTIONEN DER BASISSTATION

### MANUELLE UHRZEITEINSTELLUNG

Diese Basisstation wurde entwickelt, um die UTC Zeit durch Synchronisation mit dem zugewiesenen Internet-Zeitserver zu erhalten. Wenn Sie die Basisstation ohne diese Synchronisation verwenden möchten, können Sie Uhrzeit und Datum auch manuell einstellen. Halten Sie beim ersten Start die [ **SENSOR / WI-FI** ] -Taste 6 Sekunden gedrückt und lassen Sie die Basisstation wieder in den Normalmodus zurückkehren.

1. Drücken Sie im normalen Modus die [ **CLOCK SET** ]-Taste 2 Sekunden, um zur Zeiteinstellung zu gelangen.
2. Einstellungsreihenfolge: DST AUTO/OFF → Stunde → Minute → 12/24-Stunden-Format → Jahr → Monat → Tag → M-D/D-M-Format → Zeitsynchronisation → EIN/AUS Wochentag Sprache.
3. Drücken Sie die Taste [ **∧** ] oder [ **∨** ], um den Wert zu ändern. Für eine Schnellverstellung die Taste gedrückt halten.
4. Drücken Sie die [ **CLOCK SET** ]-Taste, um die Einstellungen zu speichern und den Einstellungsmodus zu verlassen. Das Gerät verlässt den Einstellungsmodus automatisch, wenn innerhalb von 60 Sekunden keine Taste gedrückt wurde.

### HINWEIS:

- Drücken Sie im normalen Modus die [ **CLOCK SET** ]-Taste für den Wechsel zwischen Jahres- und Datumsanzeige.
- Während der Einstellung können Sie in den Normalmodus zurückkehren, indem Sie die Taste [ **CLOCK SET** ] 2 Sekunden lang gedrückt halten.


### SOMMERZEIT (DST)

Die Sommerzeitfunktion ist standardmäßig auf "AUTO" eingestellt (für EU- oder US-Version). Wenn das aktuelle Datum im Display in die Sommerzeit fällt, wird die Uhrzeit automatisch um +1 Stunde vorgestellt und das Symbol für die Sommerzeit wird auf dem LCD-Display angezeigt.

### WECKZEITEINSTELLUNG

1. Halten Sie die [ **ALARM** ]-Taste im normalen Zeitmodus 2 Sekunden lang gedrückt, bis die Alarmstundenziffer blinkt, um in den Einstellmodus für die Alarmzeit zu gelangen.
2. Drücken Sie die Taste [ **∧** ] oder [ **∨** ], um den Wert zu ändern. Für eine Schnellverstellung die Taste gedrückt halten.
3. Drücken Sie die [ **ALARM** ] Taste erneut, um zur Werteeinstellung für die Minuten zu gelangen. Die Ziffern für die Minuten blinken.
4. Drücken Sie die [ **∧** ] oder [ **∨** ]-Taste, um den Wert der blinkenden Ziffer einzustellen.
5. Drücken Sie die [ **ALARM** ] Taste, um die Einstellungen zu speichern und den Einstellungsmodus zu verlassen.

### HINWEIS:

- Im Weckmodus wird das Symbol  auf dem Display angezeigt.
- Die Weckfunktion wird automatisch aktiviert sobald die Weckzeit eingestellt wurde.

### ALARM- UND TEMPERATUR-VORALARM-FUNKTIOAKTIVIEREN

1. Drücken Sie im normalen Modus die [ **ALARM** ]-Taste, um die Weckzeit für ca. 5 Sekunden anzuzeigen.
2. 2 Wenn die Weckzeit angezeigt wird, drücken Sie die [ **ALARM** ]-Taste erneut, um die Weckfunktion zu aktivieren **oder** drücken Sie die [ **ALARM** ]-Taste zweimal, um die Weckfunktion mit Frost-Voralarmfunktion zu aktivieren.

		
Wecker inaktiv	Wecker aktiv	Alarm mit Frost-Voralarm

## HINWEIS:


Wenn der Frost-Voralarm aktiviert wurde, ertönt ein 30 Minuten vor dem eigentlichen Weckruf ein Warnton und die Warnleuchte blinkt, sobald die Außentemperatur unter  $-3\text{ }^{\circ}\text{C}$  liegt (Glättegefahr).

Ist die Weckzeit erreicht, ertönt der Weckruf.

Der Weckruf kann folgendermaßen unterbrochen werden:

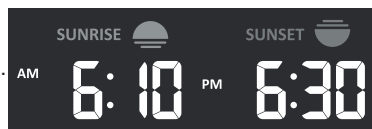
- Automatische Abschaltung nach 2 Minuten ohne Aktion bei erneuter Aktivierung am nächsten Tag.
- Wenn Sie die [ALARM / SNOOZE]-Taste drücken, um die Schlummerfunktion zu aktivieren, ertönt der Alarm nach 5 Minuten erneut.
- Wenn Sie die [ALARM / SNOOZE]-Taste für 2 Sekunden gedrückt halten, wird der Alarm gestoppt und am nächsten Tag wieder aktiviert.
- Durch das Drücken der [ALARM]-Taste wird der Weckruf gestoppt und am nächsten Tag erneut aktiviert.

## HINWEIS:

- Die Schlummerfunktion kann 24 Stunden ununterbrochen verwendet werden.
- Während der Schlummerphase blinkt das Alarm-Symbol .

## SONNENAUFGANG/SONNENUNTERGANG ZEIT

















Die Basisstation zeigt die Sonnenaufgangs- und Sonnenuntergangszeit Ihres Standorts anhand der von Ihnen eingegebenen Zeitzone, des Breitengrads und des Längengrads an. Bitte geben Sie die richtigen Informationen in den entsprechenden Einstellungen ein. Wenn die Werte für Breiten- und Längengrad nicht mit der Zeitzone übereinstimmen, kann die Sonnenaufgangs- und Sonnenuntergangszeit nicht angezeigt werden.



## MONDPHASE

Die Mondphase ist abhängig von Zeit, Datum und Zeitzone. Die folgende Tabelle erklärt die Mondphasen-Symbole für die Nord- und Südhalbkugel. Bitte lesen Sie den Abschnitt

AUSRICHTEN DES 7-IN-1-SENSORS NACH SÜDEN, wie Sie die Einstellungen für die südliche Hemisphäre vornehmen.

Nördliche Hemisphäre	Mondphase	Südliche Hemisphäre
	Neumond	
	Zunehmender Sichelmond	
	Erstes Viertel	
	Zunehmender Mond	
	Vollmond	
	Zunehmender Mond	
	Drittes Viertel	
	Zunehmender Sichelmond	

## TEMPERATUR- / LUFTFEUCHTIGKEITSFUNKTIONEN

- Die Temperatur- und Luftfeuchtigkeitswerte werden im Außen- und Innenbereich (CH) angezeigt.
- Verwenden Sie den [  $^{\circ}\text{C}$  /  $^{\circ}\text{F}$  ]-Schieberegler, um die gewünschte Temperaturanzeigeeinheit zu wählen.
- Liegt die Temperatur / Luftfeuchtigkeit unterhalb des Messbereichs, zeigt der Messwert "Lo" an. Liegt die Temperatur / Luftfeuchtigkeit über dem Messbereich, zeigt der Messwert "Hi" an.



## KOMFORTANZEIGE

Die Komfortanzeige ist eine bildliche Darstellung des Raumklimas, basierend auf der Innenraumtemperatur und -luftfeuchtigkeit.



Zu kalt



Komfortabel



Zu heiß

## HINWEIS:

- Die Komfortanzeige kann bei gleicher Temperatur aufgrund unterschiedlicher Luftfeuchtigkeit variieren
- Bei Temperaturen unter 0 °C (32° F) oder über 60° C (140° F) ist keine Komfortanzeige möglich.

## EMPFANG DES FUNKSIGNALS VOM SENSOR

1. Die Basisstation zeigt die Signalstärke für den/die Funksensor(en) an, wie in der folgenden Tabelle dargestellt:

<b>7-in-1-Außensensor</b>			
<b>Thermo-Hygrosensor</b>			
	Kein Signal	Schwaches Signal	Gutes Signal

2. Wenn das Signal für den Außenkanal unterbrochen wurde und sich nicht innerhalb von 15 Minuten erholt, verschwindet das Signalsymbol. Die Temperatur und Luftfeuchtigkeit wird für den entsprechenden Kanal "--" angezeigt.
3. Wenn sich das Signal nicht innerhalb von 48 Stunden ‚erholt‘, wird dauerhaft "Er" angezeigt. Dann die Batterien austauschen und die [ **SENSOR / WI-FI**]-Taste drücken, um die Verbindung zum Sensor wieder herzustellen.

## ANSICHT DER ANDEREN KANÄLE (OPTIONALE FUNKTION MIT ZUSÄTZLICHEN SENSOREN)

Diese Basisstation ist in der Lage, sich mit einem 7-in-1 Funksensor und bis zu 7 Thermo-Hygro-Funksensoren zu verbinden. Wenn Sie über 2 oder mehr Thermo-Hygrosensoren verfügen, können Sie die [ **CHANNEL** ]-Taste drücken, um zwischen verschiedenen drahtlosen Kanälen im Normalmodus zu wechseln, oder die [ **CHANNEL** ]-Taste 2 Sekunden gedrückt halten, um in den automatischen Zyklusmodus zu wechseln, um die angeschlossenen Kanäle im 4-Sekunden-Intervall abwechselnd anzuzeigen.

Während des Automatischen-Zyklusmodus wird das Symbol im Bereich der drahtlosen Sensorkanäle auf dem Display der Basisstation angezeigt. Während des automatischen Wechselmodus die [ **CHANNEL** ]-Taste drücken, um den Wechselmodus zu stoppen und nur den gegenwärtigen Kanal anzuzeigen.

## TRENDINDIKATOR

Die Trendanzeige zeigt den Trendwechsel für die nächsten Minuten an. Das Symbol erscheint im Bereich Temperatur, Luftfeuchtigkeit, Index und Baro.



steigend



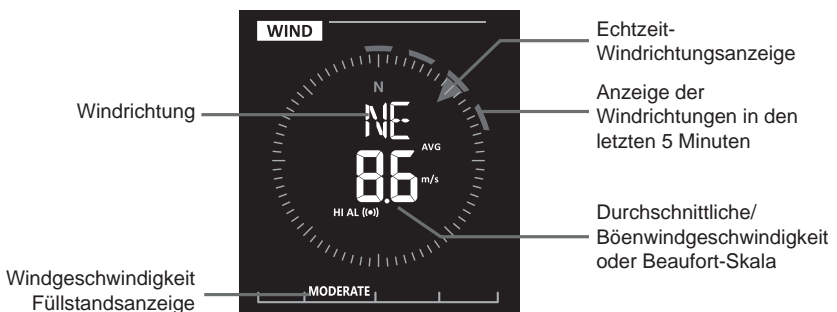
beständig



sinkend

## WIND

### ÜBERSICHT ÜBER WINDGESCHWINDIGKEIT UND -RICHTUNG



## WINDGESCHWINDIGKEITSEINHEIT UND WINDRICHTUNGSANZEIGEFORMAT EINSTELLEN

1. Im normalen Modus die [ **WIND** ]-Taste 2 Sekunden gedrückt halten, um in den Modus für die Windgeschwindigkeitseinheit zu gelangen. Die Einheit blinkt. Drücken Sie die Taste [ **∧** ] oder [ **∨** ], um die Windgeschwindigkeitseinheit in dieser Reihenfolge zu ändern: m/s → km/h → knots → mph
2. Drücken Sie erneut die Taste [ **WIND** ], um in den Einstellmodus für die Windrichtung zu gelangen. Die Windrichtungsanzeige blinkt und drückt dann die Taste [ **∧** ] oder [ **∨** ], um das Anzeigeformat zwischen 360° und 16° auszuwählen.
3. Die [ **WIND** ]-Taste erneut drücken, um zum normalen Modus zurückzukehren

## WAHL DES WINDANZEIGEMODUS

Im normalen Modus die [ **WIND** ]-Taste drücken, um zwischen **BEAUFORT** Skala, **AVERAGE** und **GUST**-Windgeschwindigkeit zu wechseln.

## BEAUFORT-SKALA

Die Beaufort-Skala ist eine internationale Skala für Windgeschwindigkeiten von 0 (ruhig) bis 12 (Hurrikan-Stärke)

Beaufort-Skala	Beschreibung	Windgeschwindigkeit	Landbedingung
0	ruhig	< 1 km/h	ruhig ruhig, Rauch steigt senkrecht auf
		< 1 mph	
		< 1 Knoten	
		0,3 ~ 24,4 m/s	
1	leichte Luftbewegung	1,1 ~ 5 km/h	Die Rauchdrift zeigt die Windrichtung an. Blätter und Windfahnen sind stationär.
		1 ~ 3 mph	
		1 ~ 3 Knoten	
		0,3 ~ 1,5 m/s	
2	schwache Brise	6 ~ 11 km/h	Luftzug auf der Haut. Blätter rascheln. Windfahnen beginnen sich zu bewegen.
		4 ~ 7 mph	
		4 ~ 6 Knoten	
		1,6 ~ 3m,3 m/s	
3	sanfte Brise	12 ~19 km/h	Blätter und kleine Zweige ständig in Bewegung, leichte Fahnen ausgefahren.
		8 ~ 12 mph	
		7 ~ 10 Knoten	
		3,4 ~ 5,4 m/s	
4	Moderate Brise	20 ~28 km/h	Staub und loses Papier werden angehoben, kleine Äste bewegen sich.
		13 ~ 17 mph	
		11 ~ 16 Knoten	
		5,5 ~ 7,9 m/s	
5	Frische Brise	29 ~ 38 km/h	Äste mittlerer Größe bewegen sich. Kleinere belaubte Bäume beginnen zu schwanken.
		18 ~ 24 mph	
		17 ~ 21 Knoten	
		8,0 ~ 10,7 m/s	
6	starke Brise	39 ~ 49 km/h	Größere Äste in Bewegung. Pfeifen in Oberleitungen. Die Verwendung eines Regenschirms wird schwieriger. Leere Plastikbehälter kippen um.
		25 ~ 30 mph	
		22 ~ 27 Knoten	
		10,8 ~ 13,8 m/s	
7	Starker Wind	50 ~ 61 km/h	Ganze Bäume in Bewegung. Es bedurfte einer Anstrengung, um gegen den Wind zu gehen.
		31 ~ 38 mph	
		28 ~ 33 Knoten	
		13,9 ~17,1 m/s	
8	Orkan	62 ~ 74 km/h	Einige Bauzweige brechen. Autos fahren auf der Straße. Der Fortschritt zu Fuß wird ernsthaft behindert
		39 ~ 46 mph	
		34 ~ 40 Knoten	
		17,2 ~ 20,7 m/s	

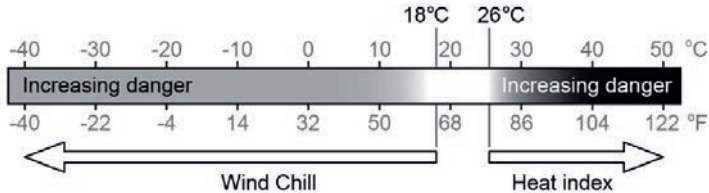
9	starker Orkan	75 ~ 88 km/h	Einige Baumäste brechen ab und einige kleinere Bäume knicken um. Baustellen-/ vorübergehende Schilder und Barrikaden stürzen um.
		47 ~ 54 mph	
		41 ~ 47 Knoten	
		20,8 ~ 24,4 m/s	
10	Sturm	89 ~ 102 km/h	Bäume werden abgebrochen oder entwurzelt, strukturelle Schäden sind wahrscheinlich.
		55 ~ 63 mph	
		48 ~ 55 Knoten	
		24,5 ~ 28,4 m/s	
11	heftiger Sturm	103 ~ 117 km/h	Weitgreifende Vegetations- und Bauschäden wahrscheinlich
		64 ~ 73 mph	
		56 ~ 63 Knoten	
		28,5 ~ 32,6 m/s	
12	Hurrikan-Stärke	≥ 118 km/h	Weitgreifende Vegetations- und Bauschäden Trümmer und ungesicherte Gegenstände werden herumgeschleudert.
		≥ 74 mph	
		≥ 64 Knoten	
		≥ 32,7m/s	

## WETTER-INDEX

Im Bereich WETTER-INDEX können Sie die Index Taste [ **NDX** ] drücken, um verschiedene Wetterindexe in dieser Reihenfolge anzuzeigen: **Gefühlte Temperatur (Feels like) → TAUPUNKT → HITZEINDEX → WINDCHILL.**

## GEFÜHLTE TEMPERATUR (FEELS LIKE)

Feels Like Temperature zeigt, wie sich die Außentemperatur anfühlen wird. Es handelt sich um eine kollektive Mischung aus dem Windchill-Faktor (18°C oder niedriger) und dem Hitzeindex (26°C oder höher). Bei Temperaturen im Bereich zwischen 18,1°C und 25,9°C, wo sowohl Wind als auch Luftfeuchtigkeit die Temperatur weniger stark beeinflussen, zeigt das Gerät die tatsächlich gemessene Außentemperatur als Feels Like Temperature an.



## TAUPUNKT (DEWPOINT)

- Der Taupunkt ist die Temperatur, unter der Wasserdampf in der Luft bei konstantem Luftdruck mit der gleichen Geschwindigkeit in flüssiges Wasser kondensiert mit der er verdampft. Das kondensierte Wasser wird als Tau bezeichnet, wenn es sich auf einer festen Oberfläche bildet. Das Kondenswasser wird als *Tau* bezeichnet, wenn es sich auf einer festen Oberfläche bildet.
- Die Taupunkt-Temperatur wird durch die Temperatur- und Luftfeuchtigkeitsdaten vom 7-in-1 Multisensor bestimmt.

## HITZE-INDEX (HEAT INDEX)

Der Hitze-Index wird durch die Temperatur- und Luftfeuchtigkeitsdaten des 7-in-1 Außensensors bestimmt, wenn die Temperatur zwischen 26°C und 50°C liegt.

Hitze-Index-Bereich	Warnung	Erklärung
27° C bis 32° C (80° F bis 90° F)	Vorsicht	Möglichkeit einer Hitzekollaps
33° C bis 40° C (91° F bis 105° F)	Besondere Vorsicht	Möglichkeit einer Hitze-Dehydrierung
41°C to 54°C (106°F to 129°F)	Gefahr	Hitzekollaps wahrscheinlich
≥ 55° C (≥ 130° F)	Extreme Gefahr	Hohes Risiko von Dehydrierung/ Sonnenstich

## WINDKÜHLE (WIND CHILL)

Eine Kombination der Temperatur- und Windgeschwindigkeitsdaten des 7-in-1 Funksensors bestimmt den aktuellen Windkühlfaktor.

## WETTERVORHERSAGE

Das Gerät enthält einen empfindlichen Drucksensor mit einer hochentwickelten und bewährten Software, die das Wetter für die nächsten 12 ~ 24 Stunden in einem Radius von 30 bis 50 km (19-31 Meilen) vorhersagt.

					
Sonnig / Klar	Leicht bewölkt	Bewölkt	Regenerisch	Regen/Sturm	Schneetreiben

### Hinweis:

- Die Genauigkeit einer generell auf dem Luftdruck basierenden Wettervorhersage liegt bei etwa 70% bis 75%.
- Die Wettervorhersage ist für die nächsten 12 Stunden gedacht, sie muss nicht unbedingt die aktuelle Situation widerspiegeln.
- Das Wettersymbol blinkt auf der Anzeige, wenn der Regenschauer kommt.
- Die Wettervorhersage für **SCHNEE** basiert nicht auf dem atmosphärischen Druck, sondern auf der Außentemperatur. Sinkt die Außentemperatur auf unter -3° C (26° F), wird der Wettersymbol für **SCHNEE** auf dem Display angezeigt.

## BAROMETRISCHER DRUCK

Der atmosphärische Druck ist der Druck an jedem Ort der Erde, der durch das Gewicht der darüber befindlichen Luftsäule verursacht wird. Ein atmosphärischer Druck bezieht sich auf den durchschnittlichen Druck und nimmt mit zunehmender Meteorologen verwenden Barometer, um den Luftdruck zu messen. Da die Schwankungen des Luftdrucks stark von der Witterung beeinflusst werden, ist es möglich, das Wetter vorherzusagen, indem man die Druckänderungen misst.



## SO ZEIGEN SIE DEN BAROMETRISCHEN DRUCK IN VERSCHIEDENEN EINHEITEN AN

1. Halten Sie im Normalmodus die Taste [ **BARO** ] 2 Sekunden lang gedrückt, um in den Modus zur Einstellung der Einheit zu gelangen.
2. Drücken Sie die Taste [ **^** ] oder [ **v** ], um die Einheit der Reihe nach zu ändern: hPa → inHg → mmHghPa → inHg → mmHg

## SO WÄHLEN SIE DEN ABSOLUTEN ODER RELATIVEN BAROMETRISCHEN LUFTDRUCK-MODUS

Im normalen Modus die [ **BARO** ]-Taste drücken, um zwischen den Luftdruck Messwerten **ABSOLUTE** / **RELATIVE** zu wechseln.

## REGEN

Im Bereich **RAINFALL** werden die Niederschlagsmenge und die Niederschlagsrate angezeigt.

## NIEDERSCHLAGSEINHEIT EINSTELLEN

1. Halten Sie im Normalmodus die [ **RAIN** ] -Taste für 2 Sekunden gedrückt, um in den Einstellungsmodus für die Einheit zu gelangen.
2. Drücken Sie die Taste [ **^** ] oder [ **v** ], um die Einheit zwischen mm und in (Regenmenge) oder mm/h und in/h (Regenrate) umzuschalten.
3. Die [ **RAIN** ]-Taste drücken, um die Einstellung zu bestätigen und den Einstellungsmodus zu verlassen.

## NIEDERSCHLAGSANZEIGE WÄHLEN

Die [ RAIN ]-Taste drücken, um zu wechseln zwischen:

1. **HOURLY**- Gesamtniederschlag der letzten Stunde
2. **DAILY** - Gesamtniederschlag seit Mitternacht (Standard)
3. **WEEKLY** - Gesamtniederschlag der aktuellen Woche
4. **MONTHLY** - Gesamtniederschlag des aktuellen Monats
5. **Total** - die Gesamtregenmenge seit dem letzten Zurücksetzen
6. **Rate** - Aktuelle Niederschlagsrate (basierend auf 10-minütigen Regendaten)

Zeitraum der Niederschläge



Pegel der Regenrate



Definition des Regenratenpegels:

Level 1:  
Leichter Regen  
0,1 ~ 2,5 mm/h



Level 2:  
Moderat  
2,51 ~ 10,0 mm/h



Level 3:  
Starkregen  
10,1 ~ 50,0 mm/h



Level 4  
Heftiger Regen:  
> 50,0 mm/h



## GESAMTREGENMENGE ZURÜCKSETZEN

Im normalen Modus die [ HISTORY ]-Taste 2 Sekunden lang gedrückt halten, um die gesamte Niederschlagsaufzeichnung zurückzusetzen.

### HINWEIS:

Um sicherzustellen, dass Sie korrekte Daten haben, setzen Sie bitte alle Niederschlagsaufzeichnungen zurück, wenn Sie Ihren drahtlosen 7-IN-1-Sensor an einem anderen Ort neu installieren.

## LICHTINTENSITÄT, UV-INDEX UND SONNENBRANDZEIT

In diesem Bereich des Displays werden die Sonnenlichtintensität, der UV-Index und die Sonnenbrandzeit angezeigt. Drücken Sie die [ SUN ] -Taste, um den Modus zu ändern.

### LICHTINTENSITÄTSMODUS

1. Halten Sie während des Lichtintensitätsmodus die Taste [ SUN ] für 2 Sekunden lang gedrückt, um zur Einstellung der Einheit zu gelangen
2. Drücken Sie die Taste [ ^ ] oder [ v ], um die Einheit der Reihe nach zu ändern: Klux → Kfc → W/m<sup>2</sup>.
3. Die [ SUN ]-Taste drücken, um die Einstellung zu bestätigen und den Einstellungsmodus zu verlassen.



### UV-INDEX-MODUS:

Zur Anzeige des aktuellen, vom Außensensor erkannten UV-Index. Die entsprechende Expositionsstufe und der empfohlene Schutzindikator werden ebenfalls angezeigt.

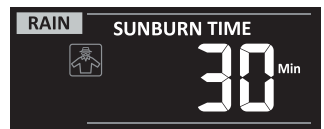
Empfohlener Schutzindikator






Lichtintensitätslevel

### SONNENBRANDZEITMODUS:

Zur Anzeige der empfohlenen Sonnenbrandzeit entsprechend dem aktuellen UV-Wert.



## UV-INDEX & SONNENBRANDZEITPLAN

Lichtintensitätslevel	niedrig		moderat			hoch		Sehr hoch			Extrem	
UV-Index	1	2	3	4	5	6	7	8	9	10	11	12~16
Sonnenbrandzeit	k.A.		45 Minuten			30 Minuten		15 Minuten			10 Minuten	
Empfohlene Sicherheitsmaßnahme	k.A.		Mäßiger oder hoher UV-Anteil! Empfehlenswert sind Sonnenbrille, breiter Hut und langärmelige Kleidung.					Sehr hoher oder extremer UV-Level! Empfehlenswert sind Sonnenbrille, breiter Hut und langärmelige Kleidung. Wenn Sie im Freien bleiben müssen, sollten Sie unbedingt einen Schattenplatz aufsuchen.			 	

### HINWEIS:

- Die Sonnenbrandzeit bezieht sich auf den normalen Hauttyp, sie ist nur ein Anhaltspunkt für die UV-Stärke. Generell gilt: Je dunkler die Haut ist, desto länger (oder mehr) braucht die Strahlung, um auf die Haut einzuwirken.
- Die Lichtintensitätsfunktion dient der Sonnenlichterkennung.

### MAX/MIN-DATENAUFZEICHNUNG

Die Basisstation kann akkumulierte und tägliche MAX/MIN Wetterdaten mit entsprechendem Zeitstempel für eine einfache Überprüfung aufzeichnen.

### AKKUMULIERTE MAX/MIN-WERTE ANZEIGEN

Drücken Sie im Normalmodus die Taste [ **MAX / MIN** ], um die MAX/MIN-Datensätze in der folgenden Anzeigesequenz zu überprüfen: Außentemperatur MAX → Außentemperatur MIN → Luftfeuchtigkeit MAX → Luftfeuchtigkeit MIN → Innenraum oder aktueller Kanal MAX Temperatur → Innenraum oder aktueller Kanal MIN Temperatur → Innenraum oder aktueller Kanal MAX Luftfeuchtigkeit → Innenraum oder aktueller Kanal MIN Luftfeuchtigkeit → MAX durchschnittliche Windgeschwindigkeit → MAX Böen → MAX FEELS LIKE → MIN FEELS LIKE → MAX Taupunkt → MIN Taupunkt → MAX Hitzeindex → MIN Hitzeindex → MAX Windchill → MIN Windchill → MAX UV-Index → MAX Lichtintensität → MAX relativer Druck → MIN relativer Druck → MAX absoluter Druck → MIN absoluter Druck → MAX Regenrate.

### MAX/MIN-AUFZEICHNUNGEN LÖSCHEN

Halten Sie die Taste [ **MAX / MIN** ] 2 Sekunden lang gedrückt, um die aktuell auf dem Bildschirm angezeigten MAX- oder MIN-Aufzeichnungen zurückzusetzen.

### HINWEIS:

Auf der LCD-Anzeige werden auch das Icon " **MAX** " / " **MIN** ", " **HISTORY** ", Datensätze, Uhrzeit und Datum angezeigt.

### HISTORIE-DATEN DER LETZTEN 24 STUNDEN

Die Basisstation zeichnet die Wetterdaten der letzten 24 Stunden automatisch auf.

1. Drücken Sie die [ **HISTORY** ]-Taste, um den Beginn der Wetterdaten der aktuellen Stunde zu überprüfen, z.B. für die aktuelle Uhrzeit 7:25 Uhr, 8. März, werden auf dem Display von 7:00am, March 8, angezeigt.
2. Drücken Sie wiederholt die [ **HISTORY** ]-Taste, um ältere Messwerte der letzten 24 Stunden anzuzeigen, z.B. 6:00 Uhr (8. März), 5:00 Uhr (8. März), ..., 10:00 Uhr (7. März), 9:00 Uhr (7. März), 8:00 Uhr (7. März)

### HINWEIS:

Auf dem Display werden auch das " **HISTORY** " Icon sowie die aufgezeichneten Historie-Daten mit Uhrzeit und Datum angezeigt.

### WETTER-ALARM-EINSTELLUNG

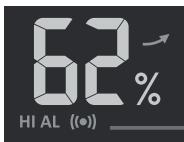
Weather Alert kann Sie über bestimmte Wetterbedingungen informieren. Sobald das Alarmkriterium erfüllt ist, wird der Alarmton aktiviert und das Alarmsymbol auf dem LCD-Bildschirm blinkt.

## ALARM EINSTELLEN

1. Drücken Sie [ **ALERT** ], um den gewünschte Wetterwarnwert auszuwählen und in der Tabelle unten anzuzeigen:

Alarmtyp	Einstellungsbereich	Anzeigebereich	Default
Innentemperatur-Höchstwertalarm	-40°C ~ 80°C	Außen Temperatur & -luftfeuchtigkeit	40°C
Innentemperatur-Tiefstwertalarm			0°C
Außenluftfeuchtigkeit-Höchstwertalarm	1% ~ 99%		80%
Außenluftfeuchtigkeit-Tiefstwertalarm			40%
Thermo-hygro Aktueller Kanal Alarm bei hoher Temperatur	-40°C ~ 80°C	Innen-/ Kanaltemperatur & -luftfeuchtigkeit	40°C
Thermo-hygro Aktueller Kanal Alarm bei niedriger Temperatur			0°C
Thermo-hygro Aktueller Kanal Alarm bei hoher Luftfeuchtigkeit	1% ~ 99%		80%
Thermo-hygro Aktueller Kanal Alarm bei niedriger Luftfeuchtigkeit			40%
Durchschnittliche Windgeschwindigkeit	0.1m/s ~ 50m/s	Windrichtung & -geschwindigkeit	17.2m/s
Gefühlte Temperatur (Feels like) Hoher Alarm	-65°C ~ 50°C	Wetter-Index	20°C
Gefühlte Temperatur (Feels like) Niedriger Alarm			0°C
Taupunkt Hoher Alarm	-40°C ~ 80°C		10°C
Taupunkt Niedriger Alarm			-10°C
Hitzeindex Hoher Alarm	26°C ~ 50°C		30°C
Windkühle Niedriger Alarm	-65°C ~ 18°C		0°C
UV index-Höchstwertalarm	1 ~ 16%	UV & Lichtintensität	10
Lichtintensität Höchstwertalarm	0.01 ~ 200.0Klux		100Klux
Druckabfall	1hPa ~ 10hPa	Barometer	3hPa
Regenrate	1mm ~ 1000mm	Regenrate	100mm

2. Halten Sie die [ **ALERT** ]-Taste 2 Sekunden lang gedrückt, um die Alarめinstellung einzugeben, und die Alarmmeldung blinkt.
3. Die [  $\wedge$  ] or [  $\vee$  ]-Taste drücken, um den Wert einzustellen oder die Taste gedrückt halten um schneller zu ändern.
4. Drücken Sie die [ **ALERT** ]-Taste, um den Wert zu bestätigen.
5. Drücken Sie die [ **ALARM** ]-Taste, um den betreffenden Alarm ein- und auszuschalten.
6. Drücken Sie die [ **ALERT** ]-Taste, um zur nächsten Alarmmeldung zu gelangen.



Hoch / Niedrig  
Alarm ein

**Alarm ein**



Alarm aus

**Alarm aus**

7. Eine beliebige Taste auf der Frontseite drücken, um zu speichern und zum normalen Modus zurückzukehren oder automatisch zum normalen Modus zurückkehren, wenn nach 30 Sekunden keine Taste gedrückt wurde.

## ALARM STUMM SCHALTEN

Die [ALARM / SNOOZE]-Taste drücken, um den Alarm stumm zu schalten oder automatische Alarmdeaktivierung nach 2 Minuten.

### HINWEIS:

- Sobald der Alarm ausgelöst wurde, ertönt der Alarm für 2 Minuten und das entsprechende Alarmsymbol sowie
- Schaltet sich der Alarm nach 2 Minuten automatisch ab, so blinken das Alarmsymbol und die Werte weiterhin bis sich die Wetter-Messwerte außerhalb des Alarmbereichs befinden.
- Der Wetteralarm ertönt wieder, wenn die Wetter-Messwerte erneut in den Alarmbereich gelangen.

## HINTERGRUNDBELEUCHTUNG

Die Hintergrundbeleuchtung der Haupteinheit kann mit dem [ HI / LO / AUTO ]-Schieberegler eingestellt werden, um die entsprechende Helligkeit auszuwählen:


- Schieben Sie den Regler in die Position [ HI ] für eine hellere Hintergrundbeleuchtung.
- Schieben Sie den Regler in die Position [ LO ] für eine gedimmte Hintergrundbeleuchtung.
- Schieben Sie den Regler in die Position [ AUTO ] für eine automatische Anpassung der Hintergrundbeleuchtung an die Umgebungshelligkeit.

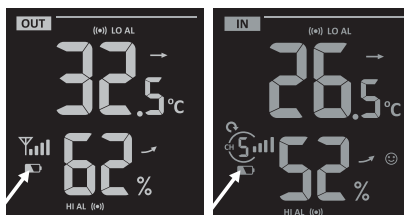
## LCD-KONTRAST

Drücken Sie die Taste [  $\wedge$  /  $\odot$  ] im Normalmodus, um den LCD-Kontrast an den Winkel des Tischständers oder der Wandmontage anzupassen.

## WARTUNG

### BATTERIEWECHSEL

Wenn die Anzeige für schwache Batterie “” im Bereich OUT oder CH angezeigt wird, bedeutet dies, dass die Batterie des 7-IN-1-Außensensors und/oder des aktuellen Sensorkanals schwach ist. Bitte durch neue Batterien ersetzen.



### WARTUNG DRAHTLOSER 7-IN-1-SENSOR



#### DIE WINDSCHALEN AUSTAUSCHEN

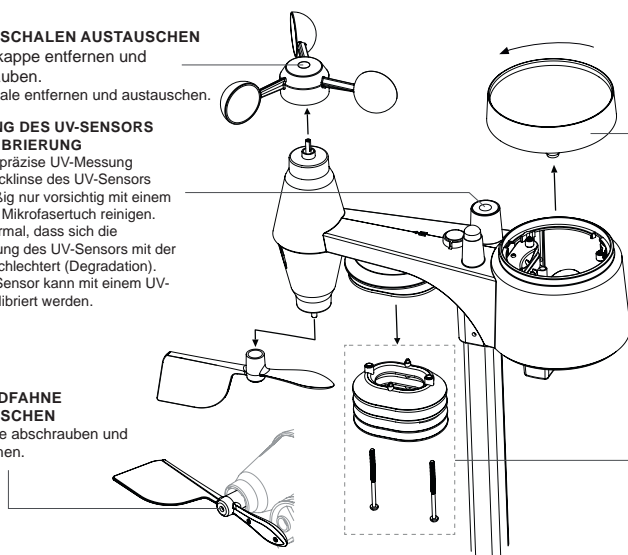
1. Gummikappe entfernen und abschrauben.
2. Windschale entfernen und austauschen.

#### REINIGUNG DES UV-SENSORS UND KALIBRIERUNG

- Für eine präzise UV-Messung die Abdecklinse des UV-Sensors regelmäßig nur vorsichtig mit einem feuchten Mikrofasertuch reinigen.
- Es ist normal, dass sich die Kalibrierung des UV-Sensors mit der Zeit verschlechtert (Degradation). Der UV-Sensor kann mit einem UV-Meter kalibriert werden.

#### DIE WINDFAHNE AUSTAUSCHEN

Windfahne abschrauben und austauschen.



#### REINIGEN DES REGENSAMMLERS

1. Regensammler durch Drehen um 30° entgegen dem Uhrzeigersinn aufschrauben.
2. Regensammler vorsichtig entfernen.
3. Ablagerungen und Insekten entfernen und reinigen.
4. Sammler wieder einsetzen, wenn er gereinigt und wieder vollständig trocken ist.

#### REINIGUNG DES HYGROTHERMO-SENSORS

1. Die 2 Schrauben an der Unterseite des Sonnenschutzes entfernen.
2. Ziehen Sie die unteren 4 Schilde vorsichtig heraus.
3. Schmutz und Insekten sorgfältig vom Sensorgehäuse entfernen (das Innere des Sensors darf nicht mit Feuchtigkeit in Berührung kommen)
4. Den Schutz mit Wasser reinigen, um Schmutz oder Insekten zu entfernen.
5. Alle Teile wieder montieren, wenn sie gereinigt und wieder vollständig trocken sind.



## FEHLERBEHEBUNG

Problem	Lösung
Der 7-in-1-Multisensors ist unterbrochen oder hat keine Verbindung.	<ol style="list-style-type: none"><li>1. Stellen Sie sicher, dass sich der Sensor innerhalb des Übertragungsbereichs befindet.</li><li>2. Wenn es immer noch nicht funktioniert, setzen Sie den Sensor zurück und synchronisieren Sie ihn erneut mit der Basisstation.</li></ol>
Der Thermo-Hygro sensor ist unterbrochen oder hat keine Verbindung.	<ol style="list-style-type: none"><li>1. Stellen Sie sicher, dass sich der Sensor innerhalb des Übertragungsbereichs befindet.</li><li>2. Stellen Sie sicher, dass der angezeigte Kanal mit der Kanalauswahl am Sensor übereinstimmt.</li><li>3. Wenn es immer noch nicht funktioniert, setzen Sie den Sensor zurück und synchronisieren Sie ihn erneut mit der Basisstation.</li></ol>
Keine WLAN-Verbindung	<ol style="list-style-type: none"><li>1. Prüfen Sie, ob das WIFI/WLAN-Symbol auf dem Bildschirm angezeigt wird, es sollte immer sichtbar sein.</li><li>2. Stellen Sie sicher, dass Sie sich mit dem 2,4G-Band, aber nicht mit dem 5G-Band Ihres WI-FI-Routers verbinden.</li></ol>
Daten werden nicht gemeldet an Wunderground.com oder weathercloud.net	<ol style="list-style-type: none"><li>1. Vergewissern Sie sich, dass Ihre Station-ID und Ihr Passwort korrekt sind.</li><li>2. Stellen Sie sicher, dass das Datum und die Uhrzeit auf der Basisstation korrekt sind. Wenn inkorrekt, dann handelt es sich möglicherweise um alte Daten und nicht um Echtzeitdaten.</li><li>3. Stellen Sie sicher, dass Ihre Zeitzone richtig eingestellt ist. Wenn inkorrekt, dann handelt es sich möglicherweise um alte Daten und nicht um Echtzeitdaten.</li></ol>
WUnderground Niederschlag. Akkum. Gesamter Diagrammversatz 1 Stunde Rückstellzeit, während der Sommerzeit	<ol style="list-style-type: none"><li>1. Sicherstellen, dass die Zeitzone des Geräts auf WUnderground richtig eingestellt ist</li><li>2. Stellen Sie sicher, dass die Zeitzone und die Sommerzeit auf Ihrer Basisstation korrekt sind.</li><li>3. Wenn Sie Ihre Station außerhalb der US-Zeitzone in WUnderground platziert haben, ist die Sommerzeit ungültig. Um dieses Problem zu lösen, schalten Sie bitte die DST-Funktion in der Basisstation aus.</li></ol>
Niederschlag ist nicht korrekt	<ol style="list-style-type: none"><li>1. Bitte halten Sie den Regensammler sauber</li><li>2. Stellen Sie sicher, dass die Kippwaage im Inneren reibungslos funktionieren kann</li></ol>
Temperaturmessung tagsüber zu hoch	<ol style="list-style-type: none"><li>1. Platzieren Sie den Sensor in einem offenen Bereich und mindestens 1,5 m über dem Boden.</li><li>2. Achten Sie darauf, dass sich der Sensor nicht zu nahe an wärmeerzeugenden Quellen oder Bauten, wie z.B. Gebäuden, Bürgersteigen, Wänden oder Klimaanlage, befindet.</li></ol>
Etwas Kondensation unter dem UV-Sensor kann über Nacht auftreten	Diese verschwindet, wenn die Temperatur durch die Sonne ansteigt, und beeinträchtigt die Leistung des Geräts nicht.

## SPEZIFIKATIONEN

### BASISSTATION

#### Grundlegende Spezifikationen

Maße (B x H x T)	202 x 138 x 38 mm (7,9 x 5,4 x 1,5 Zoll)
Gewicht	546.2g (mit Batterien)
Hauptspannungsversorgung	DC 5V, 1A-Adapter (Hersteller: HUAXU Electronics Factory, Modell: HX075-0501000-AB, HX075-0501000-AG-001 oder HX075-050100-AX)

Backup-Batterie	3 x AAA
Betriebstemperaturbereich	-5°C ~ 50°C
Luftfeuchtigkeitsbereich	10% ~ 90% RH
<b>Merkmale der WI-FI (WLAN)-Übertragung</b>	
Standard	802.11 b/g/n
Betriebsfrequenz :	2.4GHz
Unterstützter Router-Sicherheitstyp	WPA/WPA2/WPA3, OPEN, WEP (WEP unterstützt nur hexadezimalen Passwort)
Unterstütztes Gerät zur Einrichtung der Benutzeroberfläche	Eingebautes WI-FI mit AP-Modus Funktion Smart Devices oder Laptops, z.B.: Android Smartphone, Android Pad, iPhone, iPad oder Windows/Mac Computer
Empfohlener Webbrowser für die Einrichtung der Benutzeroberfläche	Webbrowser, die HTML 5 unterstützen, wie beispielsweise die neueste Version von Chrome, Safari, Edge, Firefox oder Opera.
<b>Spezifikationen für die Funksensor-Kommunikation</b>	
Unterstützte Sensoren	- 1 Drahtloser 7-IN-1 Wetter-Außensensor - Bis zu 7 drahtlose Thermo-Hygro-Sensoren (optional)
Funksignal-Frequenz	868Mhz (EU- oder UK-Version)
Funksignal-Übertragungsbereich	150m
<b>Spezifikationen für zeitbezogene Funktionen</b>	
Zeitanzeige	HH: MM:
Zeitformat	12 Stunden AM / PM oder 24 Stunden
Datumsdisplay	DD / MM oder MM / DD
Zeitsynchronisierungsmethode	Über Internet-Zeitserver zur Synchronisation des UTCs
Wochentags Sprachen	EN / DE / FR / ES / IT / NL / RU
Zeitzone	13 Stunden
DST	AUTO / OFF
<b>Barometer (Hinweis: Datenerkennung durch Basisstation)</b>	
Luftdruck-Einheit	hPa, inHg und mmHg
Messbereich	540 ~ 1100hPa
Genauigkeit	(700 ~ 1100hPa ± 5hPa) / (540 ~ 696hPa ± 8hPa) (20.67 ~ 32.48inHg ± 0.15inHg) / (15.95 ~ 20.55inHg ± 0.24inHg) (525 ~ 825mmHg ± 3,8mmHg) / (405 ~ 522mmHg ± 6mmHg) Typisch bei 25°C (77°F)
Auflösung	1hPa / 0 01inHg / 0 1mmHg
Wettervorhersage	Sonnig, Teilweise bewölkt, Bewölkt, Regnerisch, Regnerisch / Stürmisch und Schnee
Speichermodi	Historische Daten der letzten 24 Stunden, täglich Max / Min
<b>Außentemperatur (Hinweis: Datenerkennung durch Basisstation)</b>	
Temperatureinheit	°C and °F
Genauigkeit	< 0°C oder > 40°C ± 2°C (< 32°F oder > 104°F ± 3,6°F) 0~40°C ± 1°C (32 ~ 104°F ± 1,8°F)
Auflösung	°C / °F (1 Dezimalstelle)
Speichermodi	Historische Daten der letzten 24 Stunden, täglich Max / Min
<b>Luftfeuchtigkeit Innen(Hinweis: Datenerkennung durch Basisstation)</b>	
Luftfeuchtigkeitseinheit	%
Genauigkeit	1 ~ 20% RH ± 6.5% RH @ 25°C (77°F) 21 ~ 80% RH ± 3.5% RH @ 25°C (77°F) 81 ~ 99% RH ± 6.5% RH @ 25°C (77°F)
Auflösung	1%
Speichermodi	Historische Daten der letzten 24 Stunden, Max / Min

**Außentemperatur (Hinweis: Datenerfassung durch 7-in-1-Sensor)**

Temperatureinheit	°C and °F
Genauigkeit	5.1 ~ 60°C ± 0,4°C (41.2 ~ 140°F ± 0,7°F) -19,9 ~ 5°C ± 1°C (-3,8 ~ 41°F ± 1,8°F) -40 ~ -20°C ± 1,5°C (-40 ~ -4°F ± 2,7°F)
Auflösung	°C / °F (1 Dezimalstelle)
Speichermodi	Historische Daten der letzten 24 Stunden, täglich Max / Min

**Luftfeuchtigkeit außen (Hinweis: Datenerfassung durch 7-in-1-Sensor)**

Luftfeuchtigkeitseinheit	%
Genauigkeit	1 ~ 20% RH ± 6.5% RH @ 25°C (77°F) 21 ~ 80% RH ± 3.5% RH @ 25°C (77°F) 81 ~ 99% RH ± 6.5% RH @ 25°C (77°F)
Auflösung	1%
Speichermodi	Historische Daten der letzten 24 Stunden, Max / Min

**Windgeschwindigkeit und -richtung (Hinweis: Datenerfassung durch 7-in-1-Sensor)**

Windgeschwindigkeitseinheit	mph, m/s, km/h und Knoten
Windgeschwindigkeitsanzeigebereich	0 ~ 112mph, 50m/s, 180km/h, 97Knoten
Auflösung	mph, m/s, km/h und Knoten (1 Dezimalstelle)
Geschwindigkeitsgenauigkeit	< 5m/s: +/- 0,5m/s; > 5m/s: +/- 6% (je nachdem, was größer ist)
Anzeigemodus	Böe / Durchschnitt
Speichermodi	Historische Daten der letzten 24 Stunden, Max / Min
Anzeigemodus Windrichtung	16 Richtungen oder 360 Grad

**Regen (Hinweis: Datenerfassung durch 7-in-1-Sensor)**

Niederschlagseinheit	mm und in
Einheit für Regenrate	mm/h und in/h
Genauigkeit	± 7% oder 1 Spitze
Bereich	0 ~ 19999mm (0 ~ 787,3 in)
Auflösung	0.4mm (0.0157in)
Speichermodi	Historie-Daten der letzten 24 Stunden, max.
Regen-Anzeigemodus	Stündlicher / Täglicher / Wöchentlicher / Monatlicher / Gesamter Niederschlag

**UV INDEX (Hinweis: Datenerfassung durch 7-in-1-Sensor)**

Anzeigebereich	0 ~ 16
Auflösung	1 Dezimalstelle
Anzeigemodus	UV-Index, Sonnenbrandzeit
Speichermodi	Historische Daten der letzten 24 Stunden, Max

**LICHTINTENSITÄT(Hinweis: Datenerfassung durch 7-in-1-Sensor)**

Lichtintensitätseinheit	Klux, Kfc and W/m²
Anzeigebereich	0 ~ 200Klux
Auflösung	Klux, Kfc und W/m² (2 Dezimalstellen)
Speichermodi	Historische Daten der letzten 24 Stunden, Max


**Wetterindex (Hinweis: Datenerfassung durch 7-in-1-Sensor)**


Wetterindex-Modi	Fühlt sich an wie, Windchill, Hitzeindex und Taupunkt
Anzeigebereich Feels like (Gefühlte Temperatur)	-65 ~ 50°C
Anzeigebereich Taupunkt	-20 ~ 80°C
Anzeigebereich Wärmeindex	-26 ~ 50°C
Anzeigebereich Windchill	-65 ~ 18°C, Windgeschwindigkeit > 4,8km/h
Speichermodi	Historie-Daten der letzten 24 Stunden, max./min.


## **7-IN-1 FUNKSENSOR**

Maße (B x H x T)	343,5 x 393,5 x 136mm (13,5 x 15,5 x 5,35in) installierte Montage
Gewicht	757g (mit Batterien)
Hauptspannungsversorgung	3 x AA, 1.5V Batterien (Alkaline empfohlen)
Wetterdaten	Temperatur, Luftfeuchtigkeit, Windgeschwindigkeit, Windrichtung, Niederschlag, UV-Index und Lichtintensität
Funksignal-Übertragungsbereich	150m
Funksignal-Frequenz	868Mhz (EU- oder UK-Version)
Übertragungsintervall	- 12 Sekunden für UV-, Lichtintensitäts-, Windgeschwindigkeits- und Windrichtungsdaten - 24 Sekunden für Temperatur, Luftfeuchtigkeit, und Niederschlag
Betriebstemperaturbereich	-40 ~ 60°C (-40 ~ 140°F) Lithiumbatterien für niedrige Temperaturen erforderlich
Luftfeuchtigkeitsbereich	1% ~ 99% RH

## **ENTSORGUNG**

 Entsorgen Sie die Verpackungsmaterialien sortenrein. Beachten Sie bitte bei der Entsorgung des Geräts die aktuellen gesetzlichen Bestimmungen. Informationen zur fachgerechten Entsorgung erhalten Sie bei den kommunalen Entsorgungsdienstleistern oder dem Umweltamt.

 Werfen Sie Elektrogeräte nicht in den Hausmüll!  
■ Gemäß der Europäischen Richtlinie 2012/19/EG über Elektro- und Elektronik-Altgeräte und deren Umsetzung in nationales Recht, müssen verbrauchte Elektrogeräte getrennt gesammelt und einer umweltgerechten Wiederverwertung zugeführt werden.

 Sie können die Batterien nach Gebrauch entweder in unserer Verkaufsstelle oder in unmittelbarer Nähe (z.B. im Handel oder in kommunalen Sammelstellen) unentgeltlich zurückgeben. Bitte entsorgen Sie Ihre gebrauchten Batterien wie gesetzlich vorgeschrieben - an einer lokalen Sammelstelle oder im Einzelhandel. Die Entsorgung im Hausmüll verstößt gegen die Batterieverordnung. Batterien, die Giftstoffe enthalten, sind mit einem Schild und einem chemischen Symbol gekennzeichnet. "Cd" = Cadmium, "Hg" = Quecksilber, "Pb" = Blei.

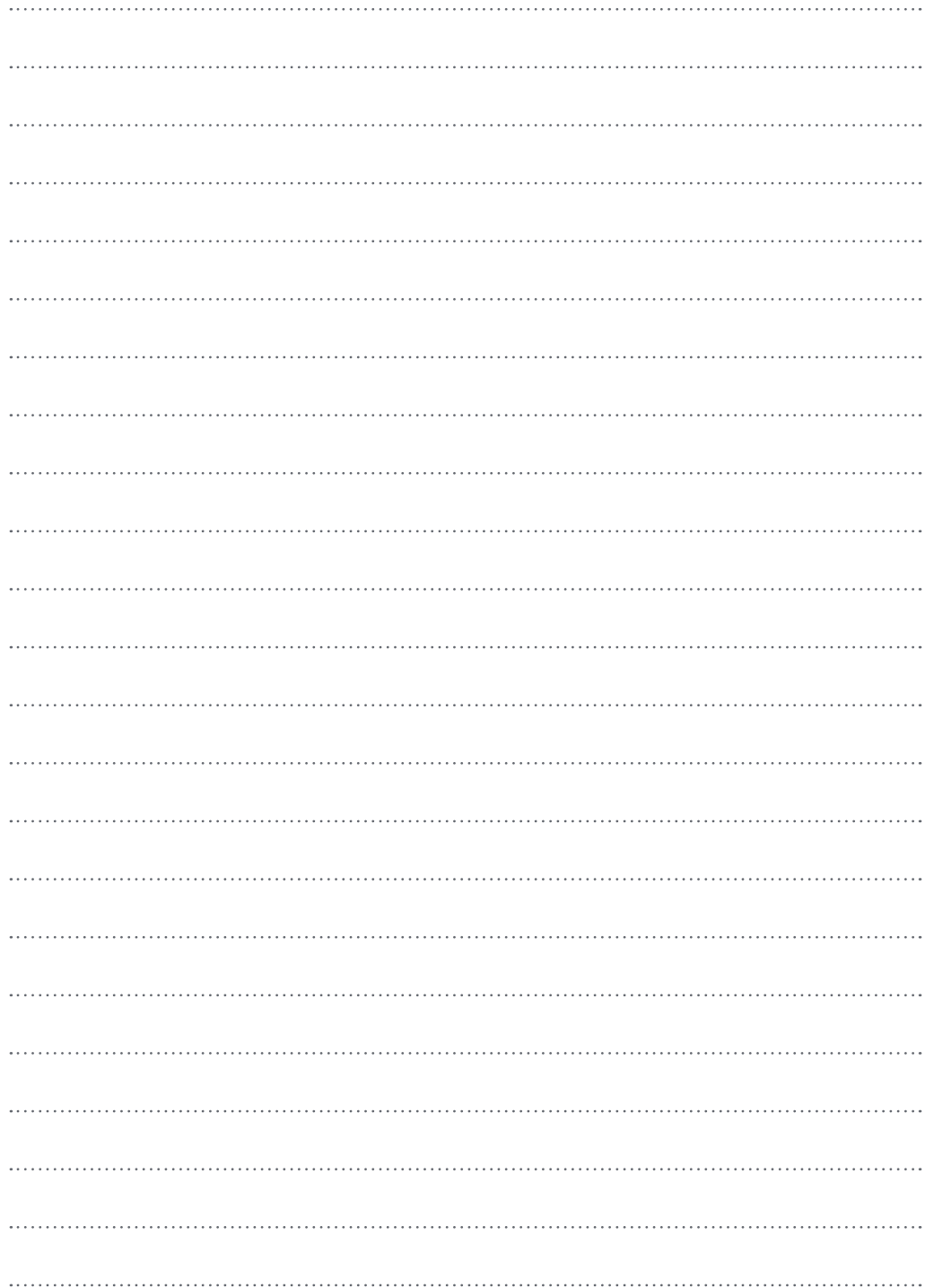
## **EG-KONFORMITÄTSERKLÄRUNG**

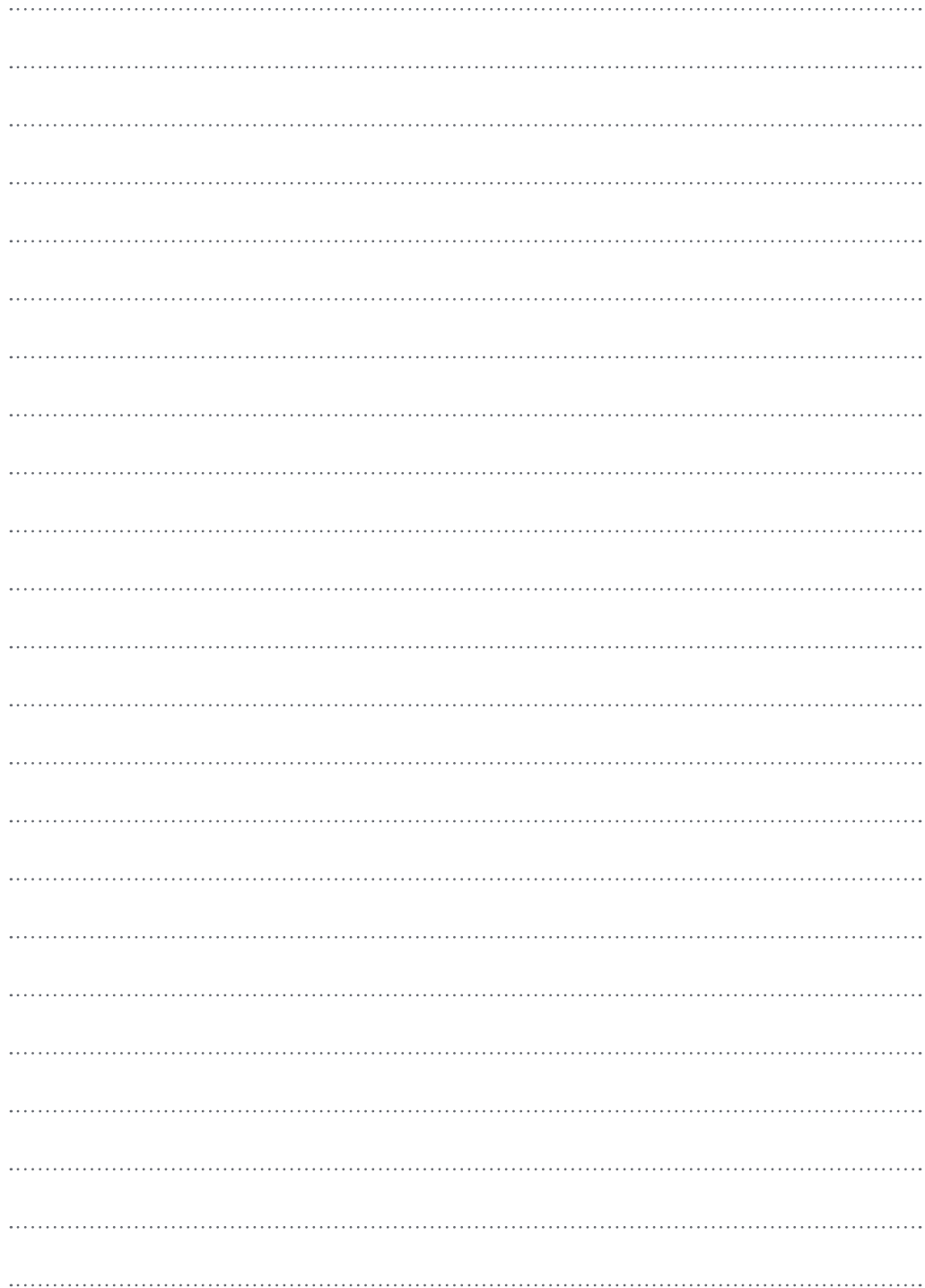
Hiermit erklärt die Bresser GmbH, dass der Gerätetyp mit der Artikelnummer 7003300 der Richtlinie 2014/53/EU entspricht. Der vollständige Text der EG-Konformitätserklärung ist unter der folgenden Internetadresse verfügbar: [www.bresser.de/download/7003300/CE/7003300\\_CE.pdf](http://www.bresser.de/download/7003300/CE/7003300_CE.pdf)

## **GARANTIE & SERVICE**

Die reguläre Garantiezeit beträgt 2 Jahre und beginnt am Tag des Kaufs. Um von einer verlängerten, freiwilligen Garantiezeit wie auf dem Geschenkkarton angegeben zu profitieren, ist eine Registrierung auf unserer Website erforderlich.

Die vollständigen Garantiebedingungen sowie Informationen zu Garantiezeitverlängerung und Serviceleistungen können Sie unter [www.bresser.de/garantiebedingungen](http://www.bresser.de/garantiebedingungen) einsehen.





## Service

**DE AT CH BE**

Bei Fragen zum Produkt und eventuellen Reklamationen nehmen Sie bitte zunächst mit dem Service-Center Kontakt auf, vorzugsweise per E-Mail.

E-Mail: [service@bresser.de](mailto:service@bresser.de)  
Telefon\*: +4928 72 80 74 210

### **BRESSER GmbH**

Kundenservice  
Gutenbergstr. 2  
46414 Rhede  
Deutschland

\*Lokale Rufnummer in Deutschland (Die Höhe der Gebühren je Telefonat ist abhängig vom Tarif Ihres Telefonanbieters); Anrufe aus dem Ausland sind mit höheren Kosten verbunden.

**GB IE**

Please contact the service centre first for any questions regarding the product or claims, preferably by e-mail.

E-Mail: [service@bresseruk.com](mailto:service@bresseruk.com)  
Telephone\*: +44 1342 837 098

### **BRESSER UK Ltd.**

Suite 3G, Eden House  
Enterprise Way  
Edenbridge, Kent TN8 6HF  
Great Britain

\*Number charged at local rates in the UK (the amount you will be charged per phone call will depend on the tariff of your phone provider); calls from abroad will involve higher costs.

**FR BE**

Si vous avez des questions concernant ce produit ou en cas de réclamations, veuillez prendre contact avec notre centre de services (de préférence via e-mail).

E-Mail: [sav@bresser.fr](mailto:sav@bresser.fr)  
Téléphone\*: 00 800 6343 7000

### **BRESSER France SARL**

Pôle d'Activités de Nicopolis  
314 Avenue des Chênes Verts  
83170 Brignoles  
France

\*Prix d'un appel local depuis la France ou Belgique

**NL BE**

Als u met betrekking tot het product vragen of eventuele klachten heeft kunt u contact opnemen met het service centrum (bij voorkeur per e-mail).

E-Mail: [info@bresserbenelux.nl](mailto:info@bresserbenelux.nl)  
Telefoon\*: +31 528 23 24 76

### **BRESSER Benelux**

Smirnofstraat 8  
7903 AX Hoogeveen  
The Netherlands

\*Het telefoonnummer wordt in het Nederland tegen lokaal tarief in rekening gebracht. Het bedrag dat u per gesprek in rekening gebracht zal worden, is afhankelijk van het tarief van uw telefoon provider; gesprekken vanuit het buitenland zullen hogere kosten met zich meebrengen.

**ES PT**

Si desea formular alguna pregunta sobre el producto o alguna eventual reclamación, le rogamos que se ponga en contacto con el centro de servicio técnico (de preferencia por e-mail).

E-Mail: [servicio.iberia@bresser-iberia.es](mailto:servicio.iberia@bresser-iberia.es)  
Teléfono\*: +34 91 67972 69

### **BRESSER Iberia SLU**

c/Valdemorillo,1 Nave B  
P.I. Ventorro del Cano  
28925 Alcorcón Madrid  
España

\*Número local de España (el importe de cada llamada telefónica dependen de las tarifas de los distribuidores); Las llamadas des del extranjero están ligadas a costes suplementarios.

---

**Bresser GmbH**  
Gutenbergstraße 2  
46414 Rhede · Germany  
[www.bresser.de](http://www.bresser.de)

   @BresserEurope



**Bresser UK Ltd.**  
Suite 3G, Eden House  
Enterprise Way  
Edenbridge, Kent TN8 6HF  
Great Britain