



Studio Light · Studiolamp · Studiolicht ·

BR-S60B Pro

EN Instruction manual

NL Gebruikershandleiding

DE Bedienungsanleitung

DE Besuchen Sie unsere Website über den folgenden QR Code oder Weblink um weitere Informationen zu diesem Produkt oder die verfügbaren Übersetzungen dieser Anleitung zu finden.

EN Visit our website via the following QR Code or web link to find further information on this product or the available translations of these instructions.

FR Si vous souhaitez obtenir plus d'informations concernant ce produit ou rechercher ce mode d'emploi en d'autres langues, rendez-vous sur notre site Internet en utilisant le code QR ou le lien correspondant.

NL Bezoek onze internetpagina via de volgende QR-code of weblink, voor meer informatie over dit product of de beschikbare vertalingen van deze gebruiksaanwijzing.

IT Desidera ricevere informazioni esaustive su questo prodotto in una lingua specifica? Venga a visitare il nostro sito Web al seguente link (codice QR Code) per conoscere le versioni disponibili.

ES ¿Desearía recibir unas instrucciones de uso completas sobre este producto en un idioma determinado? Entonces visite nuestra página web utilizando el siguiente enlace (código QR) para ver las versiones disponibles.

CA Voleu una guia detallada d'aquest producte en un idioma específic? Visiteu el nostre lloc web a través del següent enllaç (codi QR) per accedir a les versions disponibles.

PT Deseja um manual detalhado deste produto numa determinada língua? Visite a nossa Website através da seguinte ligação (QR Code) das versões disponíveis.



www.bresser.de/PF004236



GARANTIE · WARRANTY · GARANTÍA · GARANZIA



www.bresser.de/warranty_terms

English	4
Nederlands	11
Deutsch	19

Contents

2	About this Instruction Manual	5
3	Intended use	5
4	General safety instructions	5
5	Parts overview and scope of delivery	7
6	Establishing the power supply (mains operation)	8
7	Power supply via battery (optional).....	8
8	Checking the battery power (optional)	9
9	Lighting settings.....	9
10	Changing the lighting angle	9
11	Connection with an lighting console (DMX-RJ11) (optional)	9
12	Remote control (optional).....	9
13	Technical data.....	10
14	Disposal.....	10
15	EC Declaration of Conformity	10

1 Validity information

This documentation is valid for the products with the article numbers listed below:

F004236

Manual version: v0319

Manual description:

Manual_F004236_BR-S60B-Pro_en-nl-de_BRESSER_v032019a

With any service inquiries, please state these information.

2 About this Instruction Manual



NOTICE

These operating instructions are to be considered a component of the device.

Please read the safety instructions and the operating instructions carefully before use.

Keep these instructions for renewed use at a later date. When the device is sold or given to someone else, the instruction manual must be provided to the new owner/user of the product.

3 Intended use

- This device is not intended to be used by persons (including children) with limited physical, sensory or mental capabilities or those who lack the relevant experience and/or knowledge, unless they are supervised by a person responsible for their safety or have received instructions from this person as to how the device is used.
- This device is for private use only.
- The device is for indoor use only.

4 General safety instructions



DANGER

Risk of electric shock

This device has electronic parts operated via a power source (power supply and/or batteries). Improper use of this product can cause an electric shock. An electric shock can cause serious or potentially fatal injuries. The following safety information must be observed at all times.

- Disconnect the device from the power supply by pulling the power plug when it is not used or in case of longer interruption of operation and before starting any work on maintenance and cleaning.
- Position your device so that it can be disconnected from the power supply at any time. The power socket should be installed near the device and should be easily accessible as the mains cable plug is used to disconnect the device from the power supply.
- To disconnect the device from the power supply, always pull on the plug. Never pull on the cable.
- Before starting up the device, check the device, the cables and the connections for signs of damage.
- Never use a damaged device or a device with damaged live parts. Damaged parts must be immediately replaced by an authorised service company.
- Discharge the device before maintenance work and cleaning.
- Only use the device in complete dry environment and do not touch it with wet or moist parts of your body.

-
- Never use the device with defective or damaged components (e.g. housing, cable, lamp, etc.).

DANGER



Risk of suffocation

Improper use of this product can result in suffocation. This is particularly dangerous for children. The following safety information must be observed at all times.

-
- Keep packaging materials (plastic bags, rubber bands etc.) away from children. They can cause suffocation.

WARNING



Danger of glare!

Make sure people and animals do not stare into the light. Due to the high power of illumination, your eyes can be glared or after-images may appear. This visual impairment can cause accidents.

CAUTION



Risk of burns!

Never touch parts of the device during operation or until it has sufficiently cooled down (about 45 min. after switching off)!

CAUTION



Danger of injury!

This device contains components and/or accessories that can cause minor to severe injuries in case of any improper use. Therefore please read the safety instructions below to avoid any bodily injury.

-
- Always handle flash tubes and lamps with special care. Pieces of glass may cause serious or fatal injury to eyes and skin!
 - Tools with sharp edges and points are often used when working with this device. Because there is a risk of injury from such tools, store this device and all tools and accessories in a location that is out of the reach of children.

DANGER



Risk of explosion

Improper use of this product can cause an explosion. The following safety information must be observed at all times to prevent an explosion.

-
- Do not expose the device to high temperatures. Use only the power supply provided. Never short-circuit the device or throw it into a fire. Excessive heat and improper handling of this product can result in short-circuits, fires or even explosions.

CAUTION



Fire hazard!

In case of any improper use of this device, there is a risk of fire. Therefore please read the safety instructions below to avoid the initiation of burning.

- Due to extreme heat development of some components of up to 250° C there is an acute FIRE HAZARD! Always set up the device securely, so that it may not turn over. Ensure for a safe storage.
- Keep children and animals away from the device! They could overturn the device.
- Make sure that no one can trip over the connection cables of the device. The device could be overturned.
- Never turn on the device with its protection cap fitted.
- Never cover the ventilation slots or cooling fins of the device while using it or as long as it has not sufficiently cooled down!
- Keep flammable materials away from the device!
- Operate this device only installed with open softboxes to prevent fire hazard due to heat build!



NOTICE

Risk of damage to property

Improper handling can result in damage to the device and/or to the accessories. Always observe the following safety information when using the device.

- Never disassemble the device. In the event of a fault, please contact your specialist retailer. The specialist retailer will contact the service centre and send the device for repair if necessary.
- Perform all cleaning and maintenance work at the device only as described in the instruction manual.
- Do not expose this device to higher temperatures and protect it from water and high humidity.
- Protect the device from severe shocks!
- For this device only use accessories and spare parts that comply with the technical information.
- Never touch flash tubes or lamps with bare hands! Use clean cotton gloves or a clean cloth when inserting or suspending them.

5 Parts overview and scope of delivery

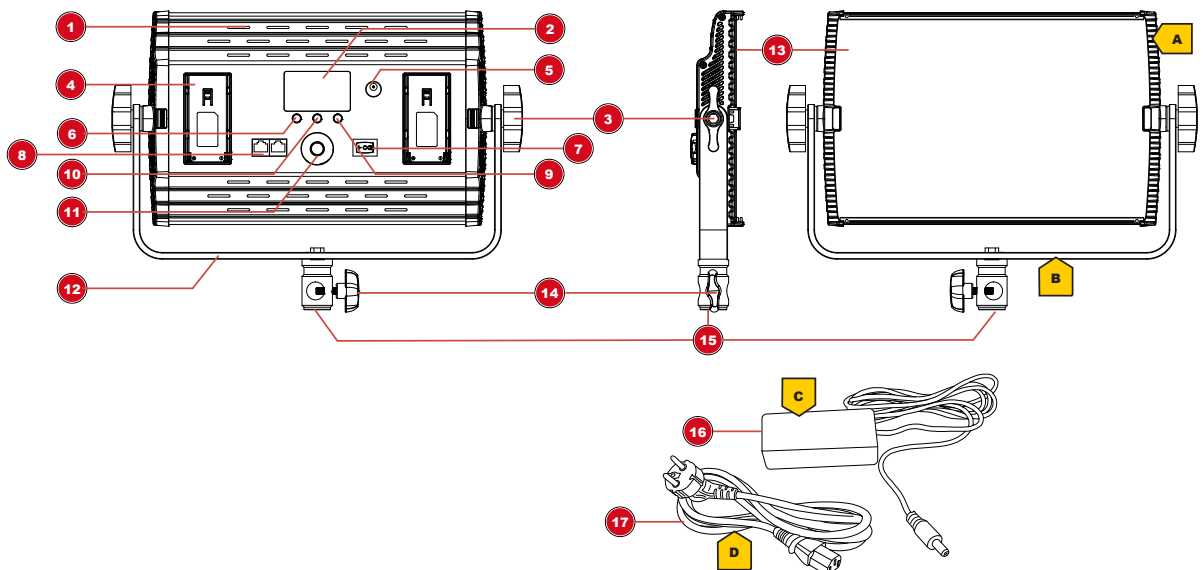


Illustration 1: All parts of the LED light, model BR-S-60 Pro

- | | |
|---|---|
| 1 Fan (automatic activation in case of impending overheating of the device) | 2 LED display (display of the settings) |
| 3 Locking knob (U-mount) | 4 Battery socket (adding suitable batteries* for mobile use) (optional) |

5 Mains power connection socket	6 Channel selection knob (channel selection for wireless control)
7 ON/OFF toggle switch (switch on/off the device)	8 Modular socket for DMX connection
9 Battery test button (check battery power)	10 Control selection knob (selection of the control type: remote control or DMX)
11 Adjustment knob (Setting the brightness or the colour temperature)	12 U-mount
13 LED panel	14 Locking knob (Spigot tripod connection)
15 Spigot tripod connection	16 DC power adapter with coaxial/barrel plug
17 C13 power cable with Euro-plug	

*not included

Scope of delivery:

LED light (A), U-mount with tripod connection (B), power adapter (C), power cable (D)

6 Establishing the power supply (mains operation)

WARNING! The device can not be operated at the same time by mains power adapter and by battery! To avoid voltage damage, always operate with only one of the two possible voltage sources!

1. Put the C13 coupling of the power cable into the C13 socket..
2. Put the DC connector into the connection socket of the device.
3. Put the Euro-plug of the power cable into the wall socket (230V maximum voltage).

CAUTION! When switching on the device, make sure that the ON/OFF toggle switch is moved to the correct position for the desired voltage source (mains adapter or battery)!

4. Move ON/OFF toggle switch to position 'I' to operate the device by mains power and to turn on the device.
5. Move ON/OFF toggle switch to position '0' to turn off the device.

NOTICE! If the device is not used for a long time, disconnect the device from the power supply (pull out mains plug or remove battery).

7 Power supply via battery (optional)

WARNING! The device can not be operated at the same time by mains power adapter and by battery! To avoid voltage damage, always operate with only one of the two possible voltage sources!

As an alternative to the power supply through mains voltage, the device can also be powered by a battery*.

NOTICE! Only use the type of battery described in this manual. Use of an unsuitable or unauthorized battery will damage the device and void the warranty.

1. Charge the rechargeable battery* completely.
2. Insert the battery into the battery socket at the backside of the housing.

CAUTION! Before switching on the device, make sure that only one voltage source is used (power adapter or battery)!

3. Move ON/OFF toggle switch to position 'I' to operate the device by battery and to turn on the device.
4. Move ON/OFF toggle switch to position '0' to turn off the device.

*not included

8 Checking the battery power (optional)

If rechargeable batteries* have been installed for the power supply, the battery power can be checked. After inserting the batteries, press the battery test button to display the current battery power on the LED display.

*not included

9 Lighting settings

1. Turn the adjustment knob to set the desired brightness.

Only for bicolor models:

2. Press the adjustment knob to change colour temperature (3,200K or 5,600K).
3. When the function lamp on the adjustment knob lights up, the colour temperature is set to 5,600 K.
4. Turn the adjustment knob to change the colour temperature value stepless.

10 Changing the lighting angle

1. Carefully loosen the locking knobs on both sides of the U-mount.
2. Move the light to the desired angle.
3. Hand-tighten the locking knobs again.

DANGER! Allow the housing surface to cool down before touching it! Touching hot components can cause serious burns.

WARNING! Hold the light when the locking knobs have been loosened to avoid damage to the panel!

11 Connection with an lighting console (DMX-RJ11) (optional)

One or more LED lights can be controlled centrally when connecting them with a RJ11 compatible lighting console* through suitable connection cables*.

1. Insert the RJ11 modular plug of the connection cable* into the corresponding socket on the lighting console* and into the socket of the LED light.
2. Press the control selection knob to enable control via DMX lighting console. The DMX function lamp lights up.

NOTICE! In DMX control mode, the LED light can be controlled only through the console.

3. For the manual control or remote control*, press the control selection knob again. The 2.4G function light will light up.

*not included

12 Remote control (optional)

The device can be controlled with a suitable 2.4GHz remote control* over the built-in receiver. When using the same channel, different devices can be operated at the same time through the remote control*.

To control the device through a remote control, proceed as follows:

1. Turn on the device(s).
2. Set the desired receiving channel to all lights being controlled.
3. Set the channel also for the remote control.

NOTICE! Only use the remote control recommended for this type of light! If a light is not to be controlled synchronously, simply change the channel on the corresponding light.

*not included

13 Technical data

Model	BR-S-36B Pro (bicolor)
Power consumption	60W
LED luminosity	1m/16,000LUX (at 5,600K)
Number of LEDs	600
Luminous flux	3,600 LM
Lamps	LED, not replaceable
Colour temperature	3,200K to 5,600K
Dimmer	digital
Operating voltage	DC 13 to 19V power adapter or optional DC 15V 2.4A via 2 x NP-F750 lithium battery
Operating conditions	dry, 0° C to +40° C
Storage conditions	dry and dust-free, 0° C to +40° C

Table 1: BR-S Pro Series

NOTICE! The LEDs used in this device have a very long lifespan and do not need to be changed. The LEDs can not be changed due to technical reasons!

14 Disposal



Dispose of the packaging materials properly, according to their type, such as paper or cardboard. Contact your local waste-disposal service or environmental authority for information on the proper disposal.



Do not dispose of electronic devices in the household garbage!

As per Directive 2012/19/EC of the European Parliament on waste electrical and electronic equipment and its adaptation into German law, used electronic devices must be collected separately and recycled in an environmentally friendly manner.

15 EC Declaration of Conformity



Folux B.V. has issued a "Declaration of Conformity" in accordance with applicable guidelines and corresponding standards. The full text of the EU declaration of conformity is available at the following internet address: www.bresser.de/download/F004236/CE/F004236_CE.pdf

Inhoud

2	Over deze handleiding	12
3	Gebruiksdoel.....	12
4	Algemene veiligheidsinstructies.....	12
5	Onderdelenoverzicht en leveringsomvang	15
6	Instellen van de stroomvoorziening (netvoeding).....	15
7	Stroomvoorziening via batterij (optioneel)	16
8	Controleren van het batterijvermogen (optioneel)	16
9	Verlichtingsinstellingen	16
10	Veranderen van de lichtbundel	16
11	Aansluiting met een verlichtingspaneel (DMX-RJ11) (optioneel)	17
12	Afstandsbediening (optioneel).....	17
13	Technische gegevens	17
14	Verwijdering	18
15	EG-conformiteitsverklaring	18

1 Toepasselijkheid

Deze documentatie is geldig voor de producten met de volgende artikelnummers:

F004236

Versie van de handleiding: v0319

Aanduiding van deze handleiding:

Manual_F004236_BR-S60B-Pro_en-nl-de_BRESSER_v032019a

Deze informatie bij serviceverzoeken altijd aangeven.

2 Over deze handleiding



INSTRUCTIE

Deze gebruikershandleiding moet als onderdeel van het apparaat worden beschouwd!

Lees voordat u het apparaat gaat gebruiken, zorgvuldig de veiligheidsinstructies en de gebruikershandleiding door.

Bewaar deze gebruikershandleiding voor gebruik op een later tijdstip. Bij verkoop of overdracht van het apparaat moet deze gebruikershandleiding aan elke volgende eigenaar/gebruiker van het product worden doorgegeven.

3 Gebruiksdoel

- Dit apparaat is niet bedoeld om te worden gebruikt door personen (inclusief kinderen) met beperkte lichamelijke, zintuiglijke of geestelijke vermogens of gebrek aan ervaring en/of kennis, tenzij ze onder toezicht staan van een persoon die verantwoordelijk is voor hun veiligheid of instructies hebben gekregen hoe het apparaat te gebruiken.
- Dit apparaat is uitsluitend bedoeld voor eigen gebruik.
- Het apparaat is alleen bedoeld voor gebruik binnenshuis!

4 Algemene veiligheidsinstructies



⚠ GEVAAR

Kans op een elektrische schok!

Dit apparaat bevat elektronische onderdelen die via een stroombron (voeding en/of batterijen) van elektriciteit moeten worden voorzien. Bij onjuist gebruik van dit product bestaat risico op een elektrische schok. Elektrische schokken kunnen tot ernstig of dodelijk letsel leiden. Neem daarom de onderstaande veiligheidsvoorschriften in acht.

- Ontkoppel het apparaat van de stroomtoevoer door de stekker los te koppelen wanneer het niet wordt gebruikt of in geval van langere bedrijfsonderbrekingen en voordat u begint met onderhouds- en reinigingswerkzaamheden.
- Plaats uw apparaat zodanig dat het te allen tijde van het elektriciteitsnet kan worden losgekoppeld. Het stopcontact moet zich altijd in de buurt van het apparaat bevinden en gemakkelijk bereikbaar zijn, aangezien de stekker fungeert als de loskoppeling van het elektriciteitsnet.
- Om het apparaat van het elektriciteitsnet los te koppelen, moet u altijd aan de stekker en niet aan het snoer trekken!
- Controleer het apparaat, de kabels en de aansluitingen voor ingebruikname op beschadigingen.
- Een beschadigd apparaat of een apparaat met beschadigde stroomvoerende onderdelen nooit in gebruik nemen! Beschadigde onderdelen moeten onmiddellijk worden vervangen door een erkend servicebedrijf.

- Ontladen van het apparaat voor onderhouds- en reinigingswerkzaamheden.
- Gebruik het apparaat alleen in een volledig droge omgeving en raak het apparaat niet aan met natte of vochtige lichaamsdelen.
- Gebruik het apparaat nooit met defecte of beschadigde componenten (bijv. behuizing, kabel, lamp, enz.).

GEVAAR



Verstikkingsgevaar!

Onjuist gebruik van dit product kan leiden tot verstikkingsgevaar, vooral bij kinderen. Houdt u strikt aan de volgende veiligheidsinformatie.

- Verpakkingsmateriaal (plastic zakken, elastiekjes, enz.) uit de buurt van kinderen houden! Er bestaat gevaar voor verstikking!

WAARSCHUWING



Gevaar voor verblinding!

Zorg ervoor dat mensen en dieren niet in het licht staren. Door de hoge verlichtingssterkte kunnen uw ogen verblind worden of kunnen na-beelden veroorzaken. Deze visuele beperking kan ongelukken veroorzaken.

VOORZICHTIG



Verbrandingsgevaar!

Raak nooit delen van het apparaat aan tijdens het gebruik of totdat het voldoende is afgekoeld (ongeveer 45 min. na het uitschakelen)!

VOORZICHTIG



Gevaar voor letsel!

Dit apparaat bevat componenten en/of accessoires die bij ondeskundig gebruik licht tot ernstig letsel kunnen veroorzaken. Lees daarom de onderstaande veiligheidsinstructies om lichamelijk letsel te voorkomen.

- Behandel flitsbuizen en lampen altijd met bijzondere zorg. Stukken glas kunnen ernstig of dodelijk letsel aan ogen en huid veroorzaken!
- Tijdens het gebruik van dit toestel worden regelmatig scherpe hulpmiddelen gebruikt. Bewaar dit toestel en alle toebehoren en hulpmiddelen dus op een voor kinderen ontoegankelijke plaats. Er bestaat GEVAAR VOOR VERWONDINGEN!

GEVAAR



Explosiegevaar!

Bij onjuist gebruik van dit product bestaat explosiegevaar. Houdt u strikt aan de volgende veiligheidsinformatie om een explosie te voorkomen.

- Stel het apparaat niet bloot aan hoge temperaturen. Gebruik alleen de bijgeleverde adapter. Apparaat niet kortsluiten of in het vuur gooien! Door extreme hitte en onjuiste behandeling kunnen kortsluiting, brand en zelfs explosies ontstaan!

VOORZICHTIG



Brandgevaar!

Bij onjuist gebruik van dit product bestaat brandgevaar. Volg de onderstaande veiligheidsinformatie strikt op om het ontstaan van brand te vermijden.

- Door de extreme warmteontwikkeling van sommige componenten tot 250° C is er kans op acuut brandgevaar. Zet het apparaat altijd goed op zijn plaats, zodat het niet kan omvallen. Zorg voor een veilige opslag.
- Houd kinderen en dieren uit de buurt van het apparaat! Zij kunnen het apparaat omverwerpen.
- Zorg ervoor dat niemand over de aansluitkabels van het apparaat kan struikelen. Het apparaat kan omver worden geworpen.
- Zet het apparaat nooit aan met de beschermkap nog op het apparaat.
- Dek de ventilatiesleuven of koelribben van het apparaat nooit af tijdens het gebruik of zolang het niet voldoende is afgekoeld!
- Houd brandbare materialen uit de buurt van het apparaat!
- Gebruik dit apparaat alleen met open softboxen om brandgevaar door warmteontwikkeling te voorkomen!

INSTRUCTIE

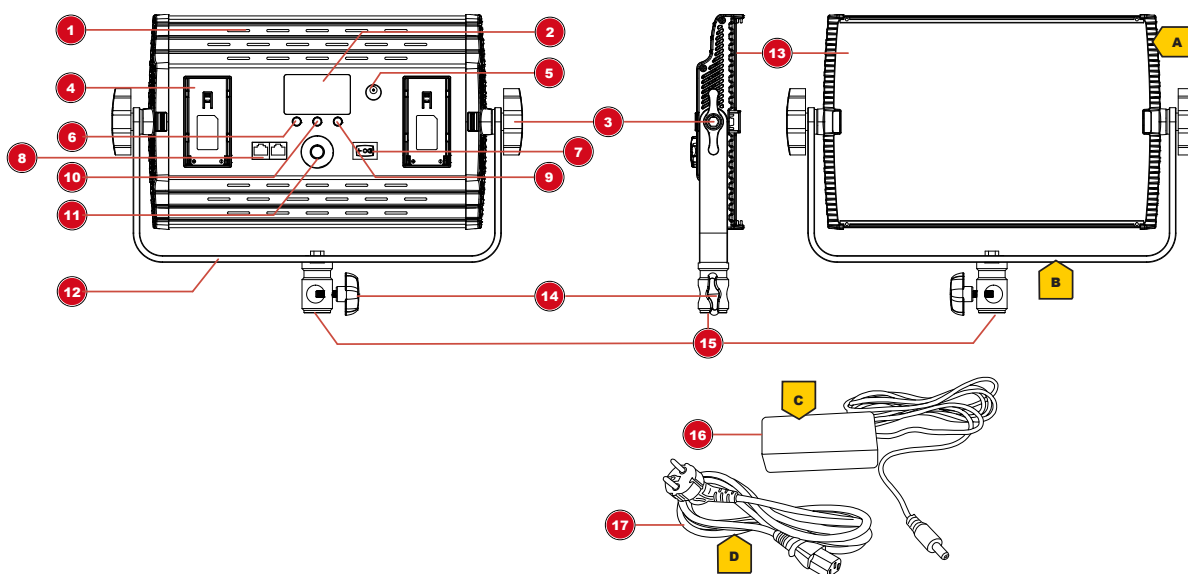


Gevaar voor materiële schade!

Bij onjuiste behandeling kan/kunnen het apparaat en/of de accessoires beschadigd raken. Gebruik het apparaat dus alleen in overeenstemming met de volgende veiligheidsinformatie.

- Demonteer het apparaat niet! Neem in geval van een defect contact op met uw vakhandelaar. Hij neemt contact op met het servicecenter en kan indien nodig het apparaat ter reparatie opsturen.
- Voer alle reinigings- en onderhoudswerkzaamheden aan het apparaat alleen uit zoals beschreven in de gebruiksaanwijzing.
- Stel het apparaat niet bloot aan hoge temperaturen en bescherm het tegen water en een hoge luchtvochtigheid.
- Stel het apparaat niet bloot aan schokken.
- Gebruik voor dit apparaat alleen accessoires en reserveonderdelen die voldoen aan de technische informatie.
- Raak nooit met blote handen flitsbuizen of lampen aan! Gebruik schone katoenen handschoenen of een schone doek bij het plaatsen of verwijderen.

5 Onderdelenoverzicht en leveringsomvang



Afb. 1: Alle onderdelen van de LED lamp, model BR-S-60 Pro

1 Ventilator (automatische activering bij dreigende oververhitting van het apparaat)	2 LED-display (weergave van de instellingen)
3 Vergrendelingsknop (U-mount)	4 Batterijaansluiting (met passende batterijen* geschikt voor mobiel gebruik) (optioneel)
5 Lichtnetaansluiting	6 Kanaalselectieknop (kanaalselectie voor draadloze bediening)
7 AAN/UIT-schakelaar (in-/uitschakelen van het apparaat)	8 Modulaire aansluiting voor DMX-aansluiting
9 Batterijtestknop (batterijvermogen controleren)	10 Selectieknop (selectie van het bedienings-type: afstandsbediening of DMX)
11 Adjustment knob (Setting the brightness or the colour temperature)	12 U-mount
13 LED-paneel	14 Vergrendelingsknop (Spigot statiefaansluiting)
15 Spigot statiefaansluiting	16 Gelijkstroomadapter met coaxiale stekker
17 C13 voedingskabel met Eurostekker	

*Niet inbegrepen

Leveringsomvang:

LED lamp (A), U-beugel met Statiefaansluiting (B), voedingsadapter (C), voedingskabel (D)

6 Instellen van de stroomvoorziening (netvoeding)

WAARSCHUWING Het apparaat kan niet tegelijkertijd met de netadapter en de batterij worden gebruikt! Om spanningschade te voorkomen, moet u altijd met slechts één van de twee mogelijke spanningsbronnen werken!

1. Steek de C13-koppeling van de voedingskabel in de C13-aansluiting.
2. Steek de DC-connector in de aansluiting van het apparaat.
3. Steek de Eurostekker van de voedingskabel in het stopcontact (230V maximale spanning).

VOORZICHTIG Let er bij het inschakelen van het apparaat op dat de AAN/UIT-schakelaar in de juiste positie voor de gewenste spanningsbron (netadapter of batterij) wordt gezet!

4. Zet de AAN/UIT-schakelaar in de stand 'II' om het apparaat op het lichtnet te bedienen en om het apparaat in te schakelen.
5. Zet de AAN/UIT-schakelaar in stand '0' om het apparaat uit te schakelen.

INSTRUCTIE!

7 Stroomvoorziening via batterij (optioneel)

WAARSCHUWING Het apparaat kan niet tegelijkertijd met de netadapter en de batterij worden gebruikt! Om spanningschade te voorkomen, moet u altijd met slechts één van de twee mogelijke spanningsbronnen werken!

Als alternatief voor de voeding via de netspanning kan het apparaat ook worden gevoed door een batterij*.

INSTRUCTIE! Gebruik alleen het type batterij dat in deze handleiding wordt beschreven. Het gebruik van een ongeschikte of ongeautoriseerde batterij beschadigt het apparaat en maakt de garantie ongeldig.

1. Laad de oplaadbare batterij* volledig op.
2. Plaats de batterij in de batterijaansluiting aan de achterkant van de behuizing.

VOORZICHTIG Voordat u het apparaat inschakelt, moet u er zeker van zijn dat er slechts één spanningsbron (netadapter of batterij) wordt gebruikt!

3. Zet de AAN/UIT-omschakelingsschakelaar in stand 'I' om het apparaat op batterij te bedienen en het apparaat in te schakelen.
4. Zet de AAN/UIT-schakelaar in stand '0' om het apparaat uit te schakelen.

*Niet inbegrepen

8 Controleren van het batterijvermogen (optioneel)

Als er oplaadbare batterijen* zijn geïnstalleerd voor de stroomvoorziening, kan de stroomtoevoer van de batterij worden gecontroleerd.

Na het plaatsen van de batterijen drukt u op de batterijtestknop om het huidige batterijvermogen op het LED-display weer te geven.

*Niet inbegrepen

9 Verlichtingsinstellingen

1. Draai aan de instelknop om de gewenste helderheid in te stellen.

Alleen voor bicolor modellen:

2. Druk op de instelknop om de kleurtemperatuur te wijzigen (3200K of 5600K).
3. Als het functielampje op de instelknop brandt, is de kleurtemperatuur ingesteld op 5600 K.
4. Draai aan de instelknop om de kleurtemperatuurwaarde traploos te wijzigen.

10 Veranderen van de lichtbundel

1. Draai de vergrendelingsknoppen aan beide zijden van de U-mount voorzichtig los.
2. Verplaats het licht naar de gewenste hoek.
3. Draai de vergrendelingsknoppen weer met de hand vast.

GEVAAR! Laat het behuizing afkoelen voordat u het aanraakt! Het aanraken van hete onderdelen kan ernstige brandwonden veroorzaken.

WAARSCHUWING Houd de lamp vast wanneer de vergrendelingsknoppen zijn losgedraaid om schade aan het paneel te voorkomen!

11 Aansluiting met een verlichtingspaneel (DMX-RJ11) (optioneel)

Een of meer LED-lampen kunnen centraal worden aangestuurd wanneer ze worden aangesloten op een RJ11-compatibele verlichtingsconsole* via geschikte aansluitkabels*.

1. Steek de RJ11 modulaire stekker van de aansluitkabel* in de betreffende bus op de verlichtingsconsole* en in de bus van de LED-verlichting.
2. Druk op de bedieningsknop om de bediening via de DMX-verlichtingsconsole mogelijk te maken. Het DMX-functielampje gaat branden.

INSTRUCTIE! In de DMX-besturingsmodus kan de LED-verlichting alleen via de console worden aangestuurd.

3. Voor de handbediening of afstandsbediening* drukt u nogmaals op de keuzeknop van de bedieningsknop. Het 2.4G-functielichtje gaat branden.

*Niet inbegrepen

12 Afstandsbediening (optioneel)

Het apparaat kan worden bediend met een geschikte 2.4GHz afstandsbediening* via de ingebouwde ontvanger. Bij gebruik van hetzelfde kanaal kunnen verschillende apparaten tegelijkertijd via de afstandsbediening* worden bediend.

Om het apparaat via een afstandsbediening te bedienen, gaat u als volgt te werk:

1. Schakel het (de) apparaat(en) in.
2. Stel het gewenste ontvangstkanaal in op alle te bedienen verlichting.
3. Stel het kanaal ook in voor de afstandsbediening.

INSTRUCTIE! Gebruik alleen de afstandsbediening die voor dit type verlichting wordt aanbevolen! Als een lamp niet synchroon aangestuurd moet worden, verandert u gewoon het kanaal op de betreffende lamp.

*Niet inbegrepen

13 Technische gegevens

Model	BR-S-36B Pro (tweekleurig)
Stroomverbruik	60W
LED-lichtsterkte	1m/16.000LUX (bij 5600K)
Aantal LED's	600
Lichtstroom	3600 LM
Lampen	LED, niet vervangbaar
Kleurentemperatuur	3200K tot 5600K
Dimmer	digitaal
Bedrijfsspanning	DC 13 tot 19 V voedingsadapter of optionele DC 15V 2.4A via 2 x NP-F750 lithiumbatterij
Gebruiksomstandigheden	droog, 0° C tot +40° C
Opslagcondities	droog en stofvrij, 0° C tot +40° C

Tab. 1: -S Pro Series

INSTRUCTIE! De LED's die in dit apparaat worden gebruikt hebben een zeer lange levensduur en hoeven niet te worden vervangen. De LED's kunnen om technische redenen niet worden vervangen!

14 Verwijdering



Verwijder het verpakkingsmateriaal gesorteerd. Informatie over een juiste verwijdering van het afval is te verkrijgen bij het plaatselijke afvalverwerkingsbedrijf of de milieudienst.



Gooi elektronische apparaten niet bij het huisvuil!

Volgens de Europese richtlijn 2012/19/EG over elektrische en elektronische apparaten en de toepassing hiervan in nationale wetten moeten afgedankte elektrische apparaten gescheiden worden ingezameld en op milieuvriendelijke wijze worden afgevoerd.

15 EG-conformiteitsverklaring



Een "conformiteitsverklaring" in overeenstemming met de van toepassing zijnde richtlijnen en overeenkomstige normen is door Folux B.V. afgegeven. De volledige tekst van de EU conformiteitsverklaring is beschikbaar op het volgende internetadres: www.bresser.de/download/F004236/CE/F004236_CE.pdf

Inhaltsverzeichnis

2	Zu dieser Anleitung	20
3	Verwendungszweck	20
4	Allgemeine Sicherheitshinweise	20
5	Teileübersicht und Lieferumfang	23
6	Stromversorgung herstellen (Netzstrom)	23
7	Stromversorgung per Akku (optional).....	24
8	Akkuleistung prüfen (optional)	24
9	Beleuchtungseinstellungen.....	24
10	Beleuchtungswinkel ändern	24
11	Anschluss an eine Beleuchtungskonsole (DMX-RJ11) (optional)	25
12	Steuerung per Fernbedienung (optional).....	25
13	Technische Daten	25
14	Entsorgung	26
15	EG-Konformitätserklärung	26

1 Gültigkeitshinweis

Diese Dokumentation ist gültig für die Produkte mit den nachfolgend aufgeführten Artikelnummern:
F004236

Anleitungsversion: v0319

Bezeichnung dieser Anleitung:

Manual_F004236_BR-S60B-Pro_en-nl-de_BRESSER_v032019a

Informationen bei Serviceanfragen stets angeben.

2 Zu dieser Anleitung



HINWEIS

Diese Bedienungsanleitung ist als Teil des Gerätes zu betrachten!

Lesen Sie vor der Benutzung des Geräts aufmerksam die Sicherheitshinweise und die Bedienungsanleitung.

Bewahren Sie diese Bedienungsanleitung für die erneute Verwendung zu einem späteren Zeitpunkt auf. Bei Verkauf oder Weitergabe des Gerätes ist die Bedienungsanleitung an jeden nachfolgenden Besitzer/Benutzer des Produkts weiterzugeben.

3 Verwendungszweck

- Dieses Gerät ist nicht dafür bestimmt, durch Personen (einschließlich Kinder) mit eingeschränkten physischen, sensorischen oder geistigen Fähigkeiten oder mangels Erfahrung und/oder mangels Wissen benutzt zu werden, es sei denn, sie werden durch eine für ihre Sicherheit zuständige Person beaufsichtigt oder erhielten von ihr Anweisungen, wie das Gerät zu benutzen ist.
- Dieses Gerät dient ausschließlich der privaten Nutzung.
- Das Gerät ist nur für den Betrieb in Innenräumen bestimmt!

4 Allgemeine Sicherheitshinweise



⚠ GEFAHR

Gefahr eines Stromschlags!

Dieses Gerät beinhaltet Elektronikteile, die über eine Stromquelle (Netzteil und/oder Batterien) betrieben werden. Bei unsachgemäßer Verwendung dieses Produkts besteht die Gefahr eines Stromschlags. Ein Stromschlag kann zu schweren bis tödlichen Verletzungen führen. Beachten Sie daher unbedingt die nachfolgenden Sicherheitsinformationen.

- Unterbrechen Sie die Stromzufuhr, wenn Sie das Gerät nicht benutzen, im Falle einer längeren Betriebsunterbrechung sowie vor allen Wartungs- und Reinigungsarbeiten, indem Sie den Netzstecker ziehen.
- Platzieren Sie Ihr Gerät so, dass es jederzeit vom Stromnetz getrennt werden kann. Die Netzsteckdose sollte sich immer in der Nähe Ihres Geräts befinden und gut zugänglich sein, da der Stecker des Netzkabels als Trennvorrichtung zum Stromnetz dient.
- Um das Gerät vom Stromnetz zu trennen, ziehen Sie immer am Netzstecker und niemals am Kabel!
- Überprüfen Sie das Gerät, die Kabel und Anschlüsse vor Inbetriebnahme auf Beschädigungen.
- Beschädigtes Gerät oder ein Gerät mit beschädigten stromführenden Teilen niemals in Betrieb nehmen! Beschädigte Teile müssen umgehend von einem autorisierten Service-Betrieb ausgetauscht werden.

- Entladen Sie das Gerät vor Wartungs- und Reinigungsarbeiten.
- Betreiben Sie das Gerät nur in vollkommen trockener Umgebung und berühren Sie das Gerät nicht mit nassen oder feuchten Körperteilen.
- Betreiben Sie das Gerät niemals mit defekten oder beschädigten Bauteilen (z.B. Gehäuse, Kabel, Lampe o.ä.).

GEFAHR



Erstickungsgefahr!

Bei unsachgemäßer Verwendung dieses Produkts besteht Erstickungsgefahr, insbesondere für Kinder. Beachten Sie deshalb unbedingt die nachfolgenden Sicherheitsinformationen.

- Verpackungsmaterialien (Plastiktüten, Gummibänder, etc.) von Kindern fernhalten! Es besteht Erstickungsgefahr!

WARNUNG



Blendgefahr!

Sorgen Sie dafür, dass Menschen und Tiere nicht in die Leuchte blicken. Durch die hohe Leuchtkraft können die Augen geblendet werden und Nachbilder entstehen. Diese Beeinträchtigung des Sehvermögens kann zu Unfällen führen.

VORSICHT



Verbrennungsgefahr!

Geräteteile niemals während des Betriebs oder vor der vollständigen Abkühlung (ca. 45 Min. nach dem Ausschalten) anfassen!

VORSICHT



Verletzungsgefahr!

Dieses Gerät beinhaltet Bau- und/oder Zubehörteile, durch die bei unsachgemäßer Verwendung leichte bis schwere Verletzungen hervorgerufen werden können. Beachten Sie deshalb unbedingt die nachfolgenden Sicherheitsinformationen, um entsprechenden Verletzungen vorzubeugen.

- Behandeln Sie Blitzröhren und Lampen stets mit besonderer Vorsicht. Glassplitter können zu schweren bis tödlichen Verletzungen von Augen und Haut führen!
- Für die Arbeit mit diesem Gerät werden häufig scharfkantige und spitze Hilfsmittel eingesetzt. Bewahren Sie deshalb dieses Gerät sowie alle Zubehörteile und Hilfsmittel an einem für Kinder unzugänglichen Ort auf. Es besteht Verletzungsgefahr!

GEFAHR



Explosionsgefahr!

Bei unsachgemäßer Verwendung dieses Produkts besteht Explosionsgefahr. Beachten Sie unbedingt die nachfolgenden Sicherheitsinformationen, um eine Explosion zu vermeiden.

- Setzen Sie das Gerät keinen hohen Temperaturen aus. Benutzen Sie nur das mitgelieferte Netzteil. Gerät nicht kurzschließen oder ins Feuer werfen! Durch übermäßige Hitze und unsachgemäße Handhabung können Kurzschlüsse, Brände und sogar Explosionen ausgelöst werden!

VORSICHT



Brandgefahr!

Bei unsachgemäßer Verwendung dieses Produkts besteht Brandgefahr. Beachten Sie unbedingt die nachfolgenden Sicherheitsinformationen, um die Entstehung von Bränden zu vermeiden.

- Durch eine extrem hohe Hitzeentwicklung einzelner Bauteile von bis zu 250°C besteht akute BRANDGEFAHR! Stellen Sie das Gerät immer so auf, dass es nicht umkippen kann, und sorgen Sie für eine angemessene sichere Lagerung.
- Halten Sie Kinder und Tiere vom Gerät fern! Sie könnten das Gerät umwerfen.
- Sorgen Sie dafür, dass niemand über Verbindungskabel des Geräts stolpern kann. Das Gerät könnte umgeworfen werden.
- Nehmen Sie das Gerät niemals mit aufgesetzter Schutzkappe in Betrieb!
- Decken Sie die Lüftungsschlitze oder Kühlrippen des Geräts während des Betriebs oder solange es noch nicht vollständig abgekühlt ist niemals ab!
- Halten Sie leicht brennbare Materialien vom Gerät fern!
- Betreiben Sie das Gerät nur mit offenen Softboxen, um eine Brandgefahr durch Wärmestau zu vermeiden!

HINWEIS



Gefahr von Sachschäden!

Bei unsachgemäßer Handhabung können das Gerät und/oder die Zubehörteile beschädigt werden. Verwenden Sie das Gerät deshalb nur entsprechend den nachfolgenden Sicherheitsinformationen.

- Bauen Sie das Gerät nicht auseinander! Wenden Sie sich im Falle eines Defekts an Ihren Fachhändler. Er nimmt mit dem Service-Center Kontakt auf und kann das Gerät ggf. zwecks Reparatur einschicken.
- Führen Sie Reinigungs- und Wartungsarbeiten am Gerät nur wie in der Bedienungsanleitung beschrieben durch.
- Setzen Sie das Gerät keinen hohen Temperaturen aus und schützen Sie es vor Wasser und hoher Luftfeuchtigkeit.
- Setzen Sie das Gerät keinen Erschütterungen aus.
- Verwenden Sie für dieses Gerät nur Zubehör- und Ersatzteile die den technischen Angaben entsprechen.
- Fassen Sie Blitzröhren oder Lampen nicht mit bloßen Händen an! Verwenden Sie beim Aus- und Einbau stets saubere Baumwollhandschuhe oder ein sauberes Tuch.

5 Teileübersicht und Lieferumfang

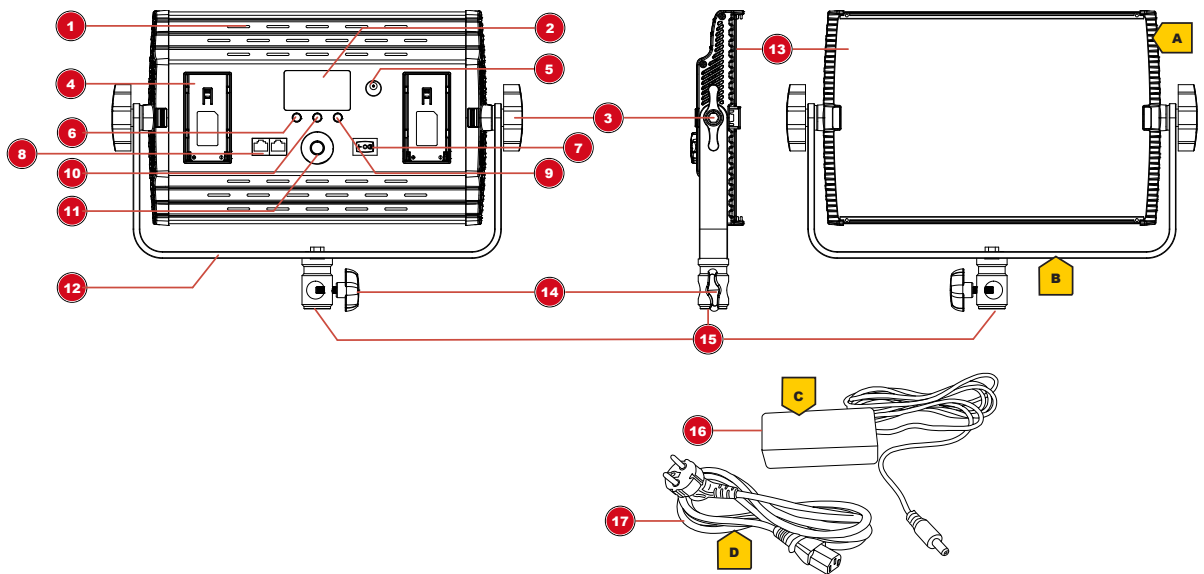


Abb. 1: Alle Teile der LED-Leuchte, Modell BR-S-60 Pro

1 Lüfter (automatische Aktivierung bei drohender Geräteüberhitzung)	2 LED-Display (Anzeige der Einstellungen)
3 Feststellknopf (Gabelhalterung)	4 Akkusockel (Aufnahme geeigneter Akkus* für den Mobilbetrieb) (optional)
5 Netzstromanschlussbuchse	6 Kanalwahlknopf (Kanalwahl für die kabellose Steuerung)
7 EIN/AUS-Kippschalter (Gerät ein-/aus-schalten)	8 Modularbuchse für DMX-Verbindung
9 Akkutestknopf (Akkuleistung prüfen)	10 Steuerungswahlknopf (Wahl der Steuerungsart: Fernbedienung oder DMX)
11 Einstelldrehknopf (Einstellung der Lichtintensität oder Farbtemperaturwahl)	12 Gabelhalterung
13 LED-Panel	14 Feststellknopf (Spigot-Stativanschluss)
15 Spigot-Stativanschluss	16 DC-Netzadapter mit Hohlstecker
17 C13-Netzkabel mit Euro-Stecker	

*nicht im Lieferumfang enthalten

Lieferumfang:

LED-Flächenleuchte (A), Gabelmontierung mit Stativanschluss (B), Netzadapter (C), Netzkabel (D)

6 Stromversorgung herstellen (Netzstrom)

WARNUNG! Das Gerät kann nicht gleichzeitig per Netzstromadapter und per Akku betrieben werden! Zur Vermeidung von Spannungsschäden stets nur mit einer der beiden möglichen Spannungsquellen betreiben!

1. C13-Kupplung des Netzkabels in die C13-Buchse des Netzadapters stecken.
2. DC-Stecker in die Anschlussbuchse am Gerät stecken.
3. Netzstecker des Netzkabels in die Steckdose (230V max. Spannung) stecken.

VORSICHT! Beim Einschalten des Geräts darauf achten, dass der EIN/AUS-Kippschalter in die korrekte Position für die gewünschte Spannungsquelle (Netzstromadapter oder Akku) bewegt wird!

-
4. EIN/AUS-Kippschalter in die Position ‚II‘ bewegen, um das Gerät per Netzstrom zu betreiben und einzuschalten.
 5. EIN/AUS-Kippschalter in die Position ‚0‘ bewegen, um das Gerät auszuschalten.

HINWEIS! Bei längerer Nichtbenutzung das Gerät vom Netzstrom trennen (Netzstecker ziehen oder Akku entfernen).

7 Stromversorgung per Akku (optional)

WARNUNG! Das Gerät kann nicht gleichzeitig per Netzstromadapter und per Akku betrieben werden! Zur Vermeidung von Spannungsschäden stets nur mit einer der beiden möglichen Spannungsquellen betreiben!

Alternativ zur Stromversorgung per Netzstrom kann das Gerät auch per Akku* betrieben werden.

HINWEIS! Nur den in dieser Anleitung beschriebenen Akku-Typ verwenden. Die Verwendung eines nicht geeigneten bzw. nicht autorisierten Akkus führt zu Beschädigungen am Gerät und zum Verlust der Garantieansprüche.

1. Akku* vollständig laden.
2. Akku in den Akkusockel auf der Geräterückseite einsetzen.

VORSICHT! Vor dem Einschalten des Geräts sicherstellen, dass nur eine Spannungsquelle genutzt wird (Netzstromadapter oder Akku)!

3. EIN/AUS-Kippschalter in Position ‚I‘ bewegen, um das Gerät per Akku zu betreiben und einzuschalten.
4. EIN/AUS-Kippschalter in Position ‚0‘ bewegen, um das Gerät auszuschalten.

*nicht im Lieferumfang enthalten

8 Akkuleistung prüfen (optional)

Sofern Akkus* für die Stromversorgung angebracht wurden, kann die Akkuleistung geprüft werden.

Nach dem Einsetzen der Akkus den Akkutestknopf drücken, um die gegenwärtige Akkuleistung auf dem LED-Display anzuzeigen.

*nicht im Lieferumfang enthalten

9 Beleuchtungseinstellungen

1. Einstellungs-drehknopf drehen, um die gewünschte Lichtintensität einzustellen.

Nur bei Bicolor-Modellen:

2. Einstellungs-drehknopf drücken, um die Farbtemperatur zu ändern (3.200 oder 5.600 K).
3. Wenn die Funktionsleuchte am Einstellungs-drehknopf leuchtet, ist eine Farbtemperatur von 5.600 K eingestellt.
4. Einstellungs-drehknopfes drehen, um den Farbtemperaturwert stufenlos zu verändern.

10 Beleuchtungswinkel ändern

1. Feststellknöpfe an beiden Seiten der Gabelmontierung vorsichtig lösen.
2. Die Leuchte in den gewünschten Winkel bewegen.
3. Die Feststellknöpfe wieder handfest anziehen.

GEFAHR! Gehäuseoberfläche vor dem Anfassen abkühlen lassen! Das Berühren heißer Bauteile kann zu ernsthaften Verbrennungen führen.

WARNUNG! Die Leuchte festhalten wenn die Feststellknöpfe gelöst wurden, um eine Beschädigung durch ein Umschlagen des Panels zu vermeiden!

11 Anschluss an eine Beleuchtungskonsole (DMX-RJ11) (optional)

In Kombination mit einer RJ11-kompatiblen DMX-Beleuchtungskonsole* und entsprechenden Verbindungskabeln* können ein oder mehrere LED-Strahler zentral gesteuert werden:

1. RJ11-Modularstecker des Verbindungskabels* in die entsprechende Buchse an der Beleuchtungskonsole* sowie in die Buchse der LED-Leuchte stecken.
2. Steuerungswahlknopf drücken, um die Steuerung per DMX-Beleuchtungskonsole zu aktivieren. Die DMX-Funktionsleuchte leuchtet.

HINWEIS! Im DMX-Steuerungsmodus kann die LED-Leuchte nur über die Konsole gesteuert werden.

3. Für die manuelle Steuerung oder eine Steuerung per Fernbedienung* den Steuerungswahlknopf erneut drücken. Die 2.4G-Funktionsleuchte leuchtet.

*nicht im Lieferumfang enthalten

12 Steuerung per Fernbedienung (optional)

Über den eingebauten Empfänger kann das Gerät auch mit einer geeigneten 2.4GHz Fernbedienung* bedient werden. Mehrere auf den gleichen Empfangskanal eingestellte Geräte können mit einer Fernbedienung* gesteuert werden.

Für eine Steuerung per Fernbedienung folgendermaßen vorgehen:

1. Die Leuchten einschalten.
2. Den gewünschten Empfangskanal an allen synchron zu steuernden Leuchten einstellen.
3. Den Kanal auf der Fernbedienung ebenfalls einstellen.

HINWEIS! Nur die für diesen Leuchtentyp empfohlene Fernbedienung verwenden! Soll eine Leuchte nicht synchron gesteuert werden, einfach den Kanal an der entsprechenden Leuchte ändern.

*nicht im Lieferumfang enthalten

13 Technische Daten

Modell	BR-S-36B Pro (bicolor)
Stromverbrauch	60W
LED-Leuchtkraft	1m/16.000LUX (bei 5.600K)
Anzahl der LEDs	600
Lichtstrom	6.000 LM
Leuchtmittel	LED, nicht austauschbar
Farbtemperatur	3.200K – 5.600K
Dimmer	digital
Betriebsspannung	DC 13-19V per Netzadapter oder optional DC 15V 2.4 A per 2 x NP-F750 Lithium-Akku
Zulässige Betriebsbedingungen	Trocken, 0° C bis +40° C
Lagerungsbedingungen	Trocken und staubfrei, 0° C bis +40° C

Tab. 1: BR-S Pro Serie

HINWEIS! Die in diesem Gerät verbauten LED's weisen eine sehr lange Lebensdauer auf, so dass diese nicht ausgewechselt werden müssen. Ein Wechseln der Leuchtdioden ist aus technischen Gründen auch nicht möglich!

14 Entsorgung



Entsorgen Sie die Verpackungsmaterialien sortenrein. Informationen zur ordnungsgemäßen Entsorgung erhalten Sie beim kommunalen Entsorgungsdienstleister oder Umweltamt.



Werfen Sie Elektrogeräte nicht in den Hausmüll!

Gemäß der Europäischen Richtlinie 2012/19/EG über Elektro- und Elektronik-Altgeräte und deren Umsetzung in nationales Recht müssen verbrauchte Elektrogeräte getrennt gesammelt und einer umweltgerechten Wiederverwertung zugeführt werden.

15 EG-Konformitätserklärung



Eine „Konformitätserklärung“ in Übereinstimmung mit den anwendbaren Richtlinien und entsprechenden Normen ist von der Folux B.V. erstellt worden. Der vollständige Text der EG-Konformitätserklärung ist unter der folgenden Internetadresse verfügbar: www.bresser.de/download/F004236/CE/F004236_CE.pdf

Service

DE AT CH BE

Bei Fragen zum Produkt und eventuellen Reklamationen nehmen Sie bitte zunächst mit dem Service-Center Kontakt auf, vorzugsweise per E-Mail.

E-Mail: service@bresser.de
Telefon*: +49 28 72 80 74 350

BRESSER GmbH
Kundenservice
Gutenbergstr. 2
46414 Rhede
Deutschland

*Lokale Rufnummer in Deutschland (Die Höhe der Gebühren je Telefonat ist abhängig vom Tarif Ihres Telefonanbieters); Anrufe aus dem Ausland sind mit höheren Kosten verbunden.

GB IE

Please contact the service centre first for any questions regarding the product or claims, preferably by e-mail.

e-mail: service@bresseruk.com
Telephone*: +44 1342 837 098

BRESSER UK Ltd
Unit 1 starborough Farm,
Starborough Road, Nr Marsh Green,
Edenbridge, Kent TN8 5RB
Great Britain

*Number charged at local rates in the UK (the amount you will be charged per phone call will depend on the tariff of your phone provider); calls from abroad will involve higher costs.

FR BE

Si vous avez des questions concernant ce produit ou en cas de réclamations, veuillez prendre contact avec notre centre de services (de préférence via e-mail).

e-mail: sav@bresser.fr
Téléphone*: 00 800 6343 7000

BRESSER France SARL
Pôle d'Activités de Nicopolis
260, rue des Romarins
83170 Brignoles
France

*Prix d'un appel local depuis la France ou Belgique

NL BE

Als u met betrekking tot het product vragen of eventuele klachten heeft kunt u contact opnemen met het service centrum (bij voorkeur per e-mail).

e-mail: info@folux.nl
Teléfono*: +31 528 23 24 76

Folux B.V.
Smirnoffstraat 8
7903 AX Hoogeveen
Nederlands

*Het telefoonnummer wordt in het Nederland tegen lokaal tarief in rekening gebracht. Het bedrag dat u per gesprek in rekening gebracht zal worden, is afhankelijk van het tarief van uw telefoon provider; gesprekken vanuit het buitenland zullen hogere kosten met zich meebrengen.

ES PT

Si desea formular alguna pregunta sobre el producto o alguna eventual reclamación, le rogamos que se ponga en contacto con el centro de servicio técnico (de preferencia por e-mail).

e-mail: servicio.iberia@bresser-iberia.es
Teléfono*: +34 91 67972 69

BRESSER Iberia SLU
c/Valdemorillo,1 Nave B
P.I. Ventorro del cano
28925 Alcorcón Madrid
España

*Número local de España (el importe de cada llamada telefónica dependen de las tarifas de los distribuidores); Las llamadas des del extranjero están ligadas a costes suplementarios.