



Microscope · Mikroskop ·

Science ETD-301

EN Instruction manual

DE Bedienungsanleitung

DE Besuchen Sie unsere Website über den folgenden QR Code oder Weblink um weitere Informationen zu diesem Produkt oder die verfügbaren Übersetzungen dieser Anleitung zu finden.

EN Visit our website via the following QR Code or web link to find further information on this product or the available translations of these instructions.

FR Si vous souhaitez obtenir plus d'informations concernant ce produit ou rechercher ce mode d'emploi en d'autres langues, rendez-vous sur notre site Internet en utilisant le code QR ou le lien correspondant.

NL Bezoek onze internetpagina via de volgende QR-code of weblink, voor meer informatie over dit product of de beschikbare vertalingen van deze gebruiksaanwijzing.

ES ¿Desearía recibir unas instrucciones de uso completas sobre este producto en un idioma determinado? Entonces visite nuestra página web utilizando el siguiente enlace (código QR) para ver las versiones disponibles.

IT Desidera ricevere informazioni esaustive su questo prodotto in una lingua specifica? Venga a visitare il nostro sito Web al seguente link (codice QR Code) per conoscere le versioni disponibili.



www.bresser.de/download/P5806300



GARANTIE · WARRANTY · GARANTÍA · GARANZIA



www.bresser.de/warranty_terms

RECYCLAGE (TRIMAN/FRANCE)



Points de collecte sur www.quefairedesdechets.fr
Privilégiez la réparation ou le don de votre appareil !

English	4
Deutsch	14

Contents

1 Imprint	5
2 Validity note	5
3 About this Instruction Manual	5
4 Intended use	5
5 General safety instructions	6
6 Parts overview and scope of delivery	8
7 Choice of location	8
8 Attaching and moving the microscope head	9
9 Inserting the object plate	9
10 Setting up power supply	9
11 Turning on/off the device	9
12 Adjusting the illumination	9
13 Observation settings	10
14 Friction setting	10
15 Using the trinocular extension	10
16 Attaching optional accessories to the objective tube	11
17 Cleaning and maintenance	11
18 Disposal	12
19 Optional accessories	12
20 Technical data	12
21 Warranty	12
22 EC declaration of conformity	12
23 UKCA declaration of conformity	13

1 Imprint

Bresser GmbH
Gutenbergstr. 2
46414 Rhede
Germany
www.bresser.de

For any warranty claims or service inquiries, please refer to the information on "Warranty" and "Service" in this documentation. We ask for your understanding that unsolicited returns cannot be processed.

Errors and technical changes excepted.

© 2023 Bresser GmbH

All rights reserved.

The reproduction of this documentation - even in extracts - in any form (e.g. photocopy, print, etc.) as well as the use and distribution by means of electronic systems (e.g. image file, website, etc.) without the prior written permission of the manufacturer is prohibited.

The designations and brand names of the respective companies used in this documentation are generally protected by trade, trademark and/or patent law in Germany, the European Union and/or other countries.

2 Validity note

This documentation is valid for the products with the following article numbers:

5806300

Manual version: 0523

Manual designation:

Manual_5806300_Science-ETD-301_en-de_BRESSER_v052023a

Always provide information when requesting service.

3 About this Instruction Manual



NOTICE

These operating instructions are to be considered a component of the device.

Read the safety instructions and the instruction manual carefully before using this device.

Keep these instruction manual in a safe place for future reference. If the device is sold or passed on, the instruction manual must be passed on to any subsequent owner/user of the product.

4 Intended use

- This device is not intended for use by persons (including children) with impaired physical, sensory or mental abilities, or for lack of experience and/or knowledge, unless they are supervised by or have received instructions from a person responsible for their safety on how to use this device.
- This device is for personal use only.
- It was developed for an magnified representation of nature observations.
- The device is intended only for indoor use.

5 General safety instructions



DANGER

Risk of an electric shock!

This device contains electronic parts that are powered by a power source (AC adapter and/or batteries). Improper use of this product may result in electric shock. Electric shock can cause serious or fatal injuries. It is therefore imperative that you observe the following safety information.

- Disconnect the power supply by pulling the mains plug when the appliance is not in use, in case of a longer interruption of operation and before any maintenance and cleaning work.
- Place your device so that it can be disconnected from the power supply at any time. The power outlet should always be near your appliance and should be easily accessible, as the plug of the power cord serves as a disconnect device from the mains supply.
- To disconnect the unit from the mains, always pull the mains plug and never pull the cable!
- Check this device, cables and connections for damage before use.
- Never attempt to operate a damaged device, or a device with damaged electrical parts! Damaged parts must be replaced immediately by an authorized service agent.
- Operate the device only in a completely dry environment and do not touch the device with wet or damp body parts.



DANGER

Danger of suffocation!

Improper use of this product may result in suffocation, especially for children. It is therefore imperative that you observe the following safety information.

- Keep packaging materials (plastic bags, rubber bands, etc.) away from children! There is a danger of choking!
- This product contains small parts that can be swallowed by children! Choking hazard!
- If small parts are swallowed, consult a doctor immediately!



DANGER

Explosion hazard!

Improper use of this product may result in fire. It is essential that you observe the following safety information in order to avoid fires.

- Do not expose the device to high temperatures. Use only the supplied AC adapter. Do not short-circuit the device or batteries or dispose of in fire! Excessive heat and improper handling can cause short circuits, fires and even explosions!



CAUTION

Risk of body injury!

This device contains components and/or accessories that can cause minor or serious body injury if used improperly. It is therefore essential that you observe the following safety information in order to prevent body injuries.

- Sharp-edged and pointed tools are often used for working with this device. Therefore, keep this device and all accessories and tools in a place inaccessible to children. Danger of body injury!

-
- Chemicals and liquids do not belong in children's hands! Don't drink! Clean hands thoroughly under running water after use. In case of accidental contact with eyes or mouth, rinse with water. In case of complaints, consult a doctor immediately and show the substances.



CAUTION

Fire hazard!

Improper use of this product may result in fire. It is essential that you observe the following safety information in order to avoid fires.

- Never cover the ventilation slots or cooling fins of the device during operation or until it has cooled down completely!



NOTICE

Danger of material damage!

Improper handling may result in damage to the unit and/or accessories. Therefore, use the device only in accordance with the following safety information.

- Do not disassemble the device! In the event of a defect, please contact your dealer. They will contact the Service Center and can arrange the return of this device for repair if necessary.
- Do not expose the device to high temperatures and protect it from water and high humidity.
- Do not subject the device to excessive vibrations.
- Only use accessories and spare parts for this device that comply with the technical specifications.

6 Parts overview and scope of delivery

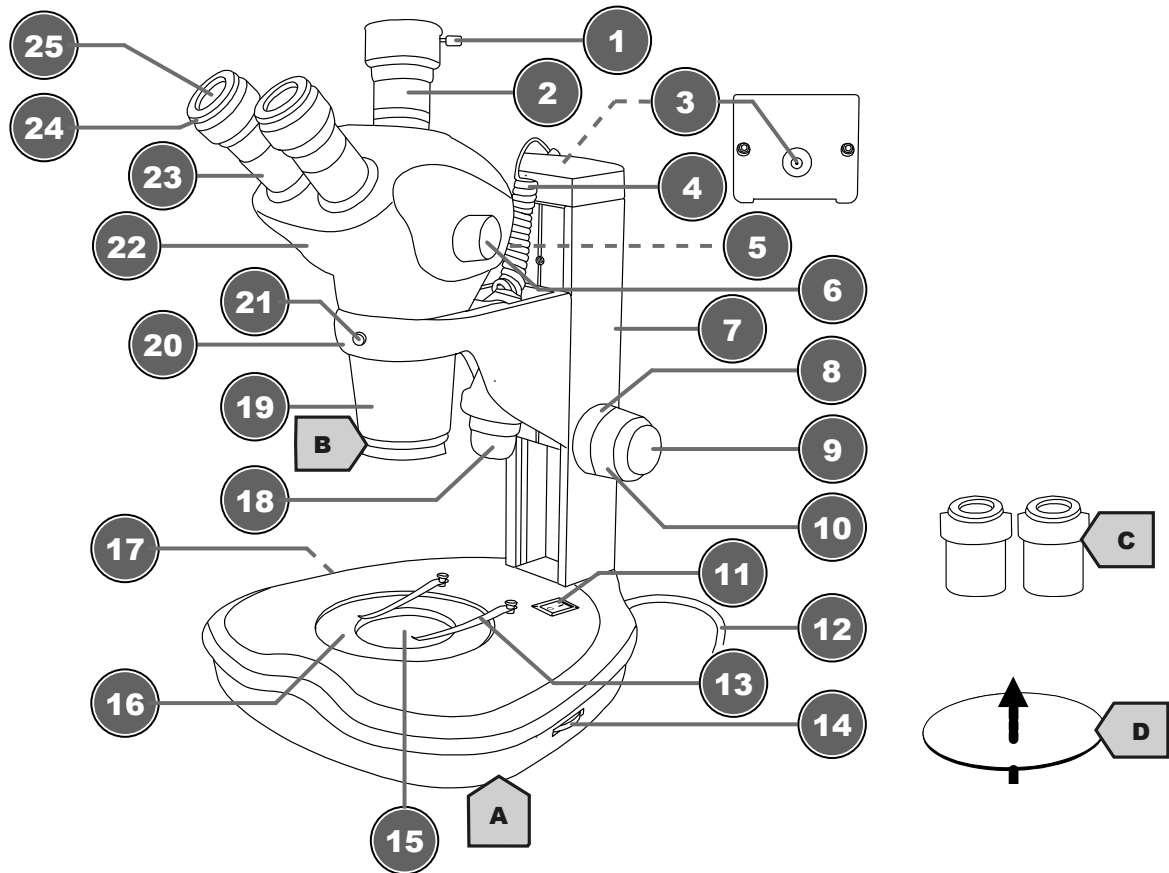


Illustration 1: All parts of the microscope

1 Fixing screw (trinocular extension)	2 Trinocular extension
3 Power socket (incident light)	4 Connection cable with DC hollow plug
5 Slider for trinocular extension	6 Zoom knob
7 Vertical pillar	8 Friction adjustment wheel (only on left side)
9 Fine focus	10 Coarse focus
11 On/Off switch	12 Mains cable with mains plug
13 Object holding clamps	14 Dimmer controller (incident light)
15 Transmitted light illumination	16 Support for object plate
17 Dimmer controller (transmitted light)	18 Incident light illumination
19 Objective tube	20 Holder (microscope head)
21 Fixation screw (objective tube)	22 Microscope head
23 Eyepiece holder	24 Diopter adjustment
25 Eyepiece lens	

Scope of delivery:

Microscope with integrated mains power cable and plug (A), objective (fixed) (B), 2 pcs. WF 10x eyepieces (C), white object plate (translucent) (D)

7 Choice of location

Choose a suitable location before installation and commissioning.

Place the device on a stable, level and vibration-free surface.

8 Attaching and moving the microscope head

1. Insert the microscope head with the objective first into the holder from above.
2. Hand-tighten the fixing screw on the holder to fix the microscope head.
3. Loosen the fixing screw on the microscope head to rotate the part above the objective to the desired observation position.
4. Hand-tighten the fixing screw on the microscope head to lock the head in position.

9 Inserting the object plate

1. Swing the holding clamps to the sides.
2. Place the object plate on the support.

10 Setting up power supply

1. Insert the plug of the mains power cable into the wall socket.
2. Insert the DC hollow plug of the incident light power cable into the DC connection socket above the vertical pillar.

11 Turning on/off the device

1. Move On/Off switch to position 'I' to turn on the device.
2. Move On/Off switch to 'O' position to turn off the device.

12 Adjusting the illumination

This device provides an illumination with a permanently installed LED light source.

To control the brightness proceed as follows:

1. Turn on the device.
2. Turn/Move the dimmer control to adjust the brightness of the light source.
3. Place the object on the object plate.
4. Switch on incident light illumination.
5. Move the lamp holder to the desired position.

13 Observation settings

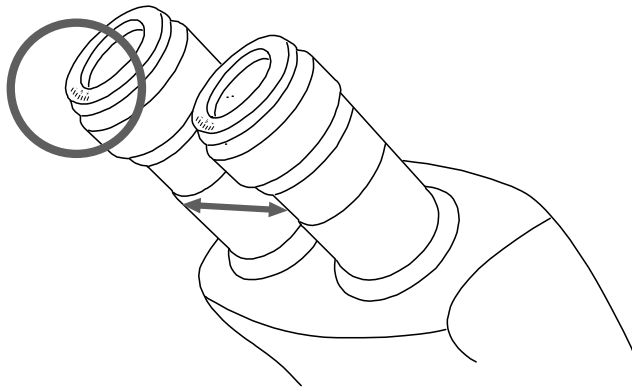


Illustration 2: Binocular head with diopter adjustment at the eyepiece

This microscope is equipped with a binocular head. The interpupillary distance and the diopter settings can be adjusted individually.

1. With the eyes look through both eyepieces.
2. Change the distance between the eyepieces by pushing them together or pulling apart until a circular image of the observed object is visible.
3. Turn the diopter adjustment ring to position '0'.
4. Turn the zoom button to position '5'.
5. With the left eye, look through the left eyepiece and turn the focusing wheel until a sharp image of the observed object is visible.
6. With the right eye, look through the right eyepiece and turn the diopter adjustment ring until a sharp image of the observed object is visible too.

The diopter adjustment can also be done in the opposite way on the left eyepiece.

14 Friction setting

If the friction setting is too smooth, the microscope head will move downwards by itself because the weight is completely pushing on the guide rail. This creates a blurred image.

To avoid this, tighten the friction adjustment wheel slightly.

15 Using the trinocular extension

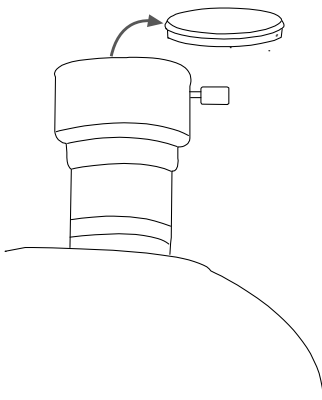


Illustration 3: Trinocular extension

Depending on the adapter* attached, a SLR camera, a system camera or a C-mount camera can be attached to the trinocular extension.

NOTICE! Cameras usually show a smaller field of view than eyepieces. This is in part due to the sensor size and cannot be changed.

To attach a suitable camera adapter, proceed as follows:

1. Loosen the fixing screw on the extension and remove the dust cover.
2. Push in the slider for the trinocular extension to release the function.
3. Insert/attach the desired camera adapter.
4. Tighten the fixing screw again.
5. Use the focus of the camera adapter to adjust the camera focus. Most camera models can thus be adjusted parfocally to the eyepieces.

NOTICE! Information on suitable accessories can be found in the chapter "Optional accessories".

*not included in the scope of delivery / optionally available

16 Attaching optional accessories to the objective tube

The objective tube is equipped with an M48 x 0.75 thread for mounting ancillary lenses*.

The outer notch on the lens ring is used to attach a ring illuminator*.

*not included

NOTICE! Information on suitable accessories can be found in the chapter "Optional accessories".

17 Cleaning and maintenance

- Protect the device from dust and moisture!
- Avoid fingerprints and similar contamination of the optical surfaces.
- The residual moisture must be completely degraded before use.
- Disconnect the power supply by pulling the mains plug when the appliance is not in use, in case of a longer interruption of operation and before any maintenance and cleaning work.
- Only clean the device externally using a dry cloth. Do not use cleaning solution to prevent damage to the electronic parts.
- Do not use organic solvents (e.g. alcohol, ether, acetone, xylol or other dilutions) to clean lacquered parts or plastic parts!
- Disassemble optical elements (e.g. objective, eyepiece, etc) before cleaning.
- Blow away loose dust from the lens surfaces first.
- Use high quality lens cleaning towels or soft cloth and moisten it with a little bit of pure alcohol (available in a drug store). Wipe the lens surface with it.
- Pull a dust protection cover* over the microscope and store it in a closed container at a dry and mould-free place. Store the microscope and the accessories in the relevant containers when they are not used for a longer time. It is recommended to store also objectives and eyepieces in closed containers with desiccant.

(*depending on the model a dust protection cover and box can be part of the content)



NOTICE

Remember:

A well maintained microscope will keep its optical quality for years and thus maintain its value.

18 Disposal



Dispose of the packaging materials according to its type. Information on proper disposal can be obtained from the municipal waste disposal service provider or environmental agency.



Do not dispose of electronic devices in the household garbage!

According to the European Directive 2012/19/EU on Waste Electrical and Electronic Equipment and its transposition into national law, used electrical equipment must be collected separately and recycled in an environmentally sound manner.

19 Optional accessories

Interchangeable eyepieces

BRESSER Wide-field eyepiece 15x/16 (30mm) with diopter adjustment
Art. no. 5943116

Adapter for trinocular extension

BRESSER Adapter for SLR and system cameras
Art. no. 5942100 (camera-specific T2 ring additionally required)

BRESSER Adapter for C-mount cameras
Art. no. 5942101

Ancillary lens for objective

BRESSER Additional objective 2.0x
Art. no. 5941496

20 Technical data

Article number: 5806300

Microscope head: trinocular

Object stage: yes, with translucent object plate (diam. 90 mm; thickness 5 mm)

Eyepiece(s): 2x WF 10x (30 mm)

Eyepiece field of view: 22

Objective(s): 0.7x to 6.3x

Magnification(s): 7x to 63x

Power supply: 230V mains power

Illumination: LED, dual (incident light/transmitted light), independently adjustable

21 Warranty

The regular guarantee period is 10 years and begins on the day of purchase. You can consult the full guarantee terms and details of our services at www.bresser.de/warranty_terms.

22 EC declaration of conformity



A "Declaration of conformity" in accordance with the applicable directives and corresponding standards has been prepared by Bresser GmbH. The full text of the EC declaration of conformity is available at the following Internet address: www.bresser.de/download/5806300/CE/5806300_CE.pdf

23 UKCA declaration of conformity



A "Declaration of Conformity" in accordance with the applicable directives and relevant standards has been issued by Bresser GmbH. The full text of the UKCA Declaration of Conformity is available at the following web address: www.bresser.de/download/5806300/UKCA/5806300_UKCA.pdf

Bresser UK Ltd. • Suite 3G, Eden House, Enterprise Way, Edenbridge, Kent TN8 6HF, Great Britain

Inhaltsverzeichnis

1	Impressum	15
2	Gültigkeitshinweis.....	15
3	Zu dieser Anleitung	15
4	Verwendungszweck	15
5	Allgemeine Sicherheitshinweise.....	16
6	Teileübersicht und Lieferumfang.....	18
7	Standortwahl.....	18
8	Mikroskop-Kopf anbringen und bewegen.....	19
9	Objektplatte einsetzen	19
10	Stromversorgung herstellen	19
11	Gerät ein-/ausschalten.....	19
12	Beleuchtung einstellen	19
13	Beobachtungseinstellungen vornehmen.....	20
14	Friktionseinstellung	20
15	Verwendung des trinokularen Auszugs.....	20
16	Optionales Zubehör an Objektivtubus anbringen.....	21
17	Reinigung und Wartung.....	21
18	Entsorgung	22
19	Optionales Zubehör	22
20	Technische Daten.....	22
21	Garantie.....	22
22	EG-Konformitätserklärung	23

1 Impressum

Bresser GmbH
Gutenbergstr. 2
46414 Rhede
Germany
www.bresser.de

Für etwaige Gewährleistungsansprüche oder Serviceanfragen verweisen wir auf die Informationen zu „Garantie“ und „Service“ in dieser Dokumentation. Wir bitten um Verständnis, dass unaufgeforderte Rücksendungen nicht bearbeitet werden können.

Irrtümer und technische Änderungen vorbehalten.

© 2023 Bresser GmbH

Alle Rechte vorbehalten.

Die Reproduktion dieser Dokumentation – auch auszugsweise – in irgendeiner Form (z.B. Fotokopie, Druck, etc.) sowie die Verwendung und Verbreitung mittels elektronischer Systeme (z.B. Bilddatei, Website, etc.) ohne eine vorherige schriftliche Genehmigung des Herstellers ist nicht gestattet.

Die in dieser Dokumentation verwendeten Bezeichnungen und Markennamen der jeweiligen Firmen sind im Allgemeinen in Deutschland, der Europäischen Union und/oder weiteren Ländern waren-, marken- und/oder patentrechtlich geschützt.

2 Gültigkeitshinweis

Diese Dokumentation ist gültig für die Produkte mit den nachfolgend aufgeführten Artikelnummern:
5806300

Anleitungsversion: 0523

Bezeichnung dieser Anleitung:

Manual_5806300_Science-ETD-301_en-de_BRESSER_v052023a

Informationen bei Serviceanfragen stets angeben.

3 Zu dieser Anleitung



HINWEIS

Diese Bedienungsanleitung ist als Teil des Gerätes zu betrachten!

Lesen Sie vor der Benutzung des Geräts aufmerksam die Sicherheitshinweise und die Bedienungsanleitung.

Bewahren Sie diese Bedienungsanleitung für die erneute Verwendung zu einem späteren Zeitpunkt auf. Bei Verkauf oder Weitergabe des Gerätes ist die Bedienungsanleitung an jeden nachfolgenden Besitzer/Benutzer des Produkts weiterzugeben.

4 Verwendungszweck

- Dieses Gerät ist nicht dafür bestimmt, durch Personen (einschließlich Kinder) mit eingeschränkten physischen, sensorischen oder geistigen Fähigkeiten oder mangels Erfahrung und/oder mangels Wissen benutzt zu werden, es sei denn, sie werden durch eine für ihre Sicherheit zuständige Person beaufsichtigt oder erhielten von ihr Anweisungen, wie das Gerät zu benutzen ist.
- Dieses Gerät dient ausschließlich der privaten Nutzung.
- Es wurde entwickelt zur vergrößerten Darstellung von Naturbeobachtungen.
- Das Gerät ist nur für den Betrieb in Innenräumen bestimmt!

5 Allgemeine Sicherheitshinweise



GEFAHR

Gefahr eines Stromschlags!

Dieses Gerät beinhaltet Elektronikteile, die über eine Stromquelle (Netzteil und/oder Batterien) betrieben werden. Bei unsachgemäßer Verwendung dieses Produkts besteht die Gefahr eines Stromschlags. Ein Stromschlag kann zu schweren bis tödlichen Verletzungen führen. Beachten Sie daher unbedingt die nachfolgenden Sicherheitsinformationen.

- Unterbrechen Sie die Stromzufuhr, wenn Sie das Gerät nicht benutzen, im Falle einer längeren Betriebsunterbrechung sowie vor allen Wartungs- und Reinigungsarbeiten, indem Sie den Netzstecker ziehen.
- Platzieren Sie Ihr Gerät so, dass es jederzeit vom Stromnetz getrennt werden kann. Die Netzsteckdose sollte sich immer in der Nähe Ihres Geräts befinden und gut zugänglich sein, da der Stecker des Netzkabels als Trennvorrichtung zum Stromnetz dient.
- Um das Gerät vom Stromnetz zu trennen, ziehen Sie immer am Netzstecker und niemals am Kabel!
- Überprüfen Sie das Gerät, die Kabel und Anschlüsse vor Inbetriebnahme auf Beschädigungen.
- Beschädigtes Gerät oder ein Gerät mit beschädigten stromführenden Teilen niemals in Betrieb nehmen! Beschädigte Teile müssen umgehend von einem autorisierten Service-Betrieb ausgetauscht werden.
- Betreiben Sie das Gerät nur in vollkommen trockener Umgebung und berühren Sie das Gerät nicht mit nassen oder feuchten Körperteilen.



GEFAHR

Erstickungsgefahr!

Bei unsachgemäßer Verwendung dieses Produkts besteht Erstickungsgefahr, insbesondere für Kinder. Beachten Sie deshalb unbedingt die nachfolgenden Sicherheitsinformationen.

- Verpackungsmaterialien (Plastiktüten, Gummibänder, etc.) von Kindern fernhalten! Es besteht Erstickungsgefahr!
- Dieses Produkt beinhaltet Kleinteile, die von Kindern verschluckt werden können! Es besteht Erstickungsgefahr!
- Wenn Kleinteile verschluckt wurden, unverzüglich einen Arzt aufsuchen!



GEFAHR

Explosionsgefahr!

Bei unsachgemäßer Verwendung dieses Produkts besteht Explosionsgefahr. Beachten Sie unbedingt die nachfolgenden Sicherheitsinformationen, um eine Explosion zu vermeiden.

- Setzen Sie das Gerät keinen hohen Temperaturen aus. Benutzen Sie nur das mitgelieferte Netzteil. Gerät nicht kurzschließen oder ins Feuer werfen! Durch übermäßige Hitze und unsachgemäße Handhabung können Kurzschlüsse, Brände und sogar Explosionen ausgelöst werden!



VORSICHT

Verletzungsgefahr!

Dieses Gerät beinhaltet Bau- und/oder Zubehörteile, durch die bei unsachgemäßer Verwendung leichte bis schwere Verletzungen hervorgerufen werden können. Beachten Sie deshalb unbedingt die nachfolgenden Sicherheitsinformationen, um entsprechenden Verletzungen vorzubeugen.

- Für die Arbeit mit diesem Gerät werden häufig scharfkantige und spitze Hilfsmittel eingesetzt. Bewahren Sie deshalb dieses Gerät sowie alle Zubehörteile und Hilfsmittel an einem für Kinder unzugänglichen Ort auf. Es besteht Verletzungsgefahr!
- Chemikalien und Flüssigkeiten gehören nicht in Kinderhände! Nicht trinken! Hände nach Gebrauch unter fließendem Wasser gründlich säubern. Bei versehentlichem Kontakt mit Augen oder Mund mit Wasser spülen. Bei Beschwerden unverzüglich einen Arzt aufsuchen und die Substanzen vorzeigen.



VORSICHT

Brandgefahr!

Bei unsachgemäßer Verwendung dieses Produkts besteht Brandgefahr. Beachten Sie unbedingt die nachfolgenden Sicherheitsinformationen, um die Entstehung von Bränden zu vermeiden.

- Decken Sie die Lüftungsschlitze oder Kühlrippen des Geräts während des Betriebs oder solange es noch nicht vollständig abgekühlt ist niemals ab!



HINWEIS

Gefahr von Sachschäden!

Bei unsachgemäßer Handhabung können das Gerät und/oder die Zubehörteile beschädigt werden. Verwenden Sie das Gerät deshalb nur entsprechend den nachfolgenden Sicherheitsinformationen.

- Bauen Sie das Gerät nicht auseinander! Wenden Sie sich im Falle eines Defekts an Ihren Fachhändler. Er nimmt mit dem Service-Center Kontakt auf und kann das Gerät ggf. zwecks Reparatur einschicken.
- Setzen Sie das Gerät keinen hohen Temperaturen aus und schützen Sie es vor Wasser und hoher Luftfeuchtigkeit.
- Setzen Sie das Gerät keinen Erschütterungen aus.
- Verwenden Sie für dieses Gerät nur Zubehör- und Ersatzteile die den technischen Angaben entsprechen.

6 Teileübersicht und Lieferumfang

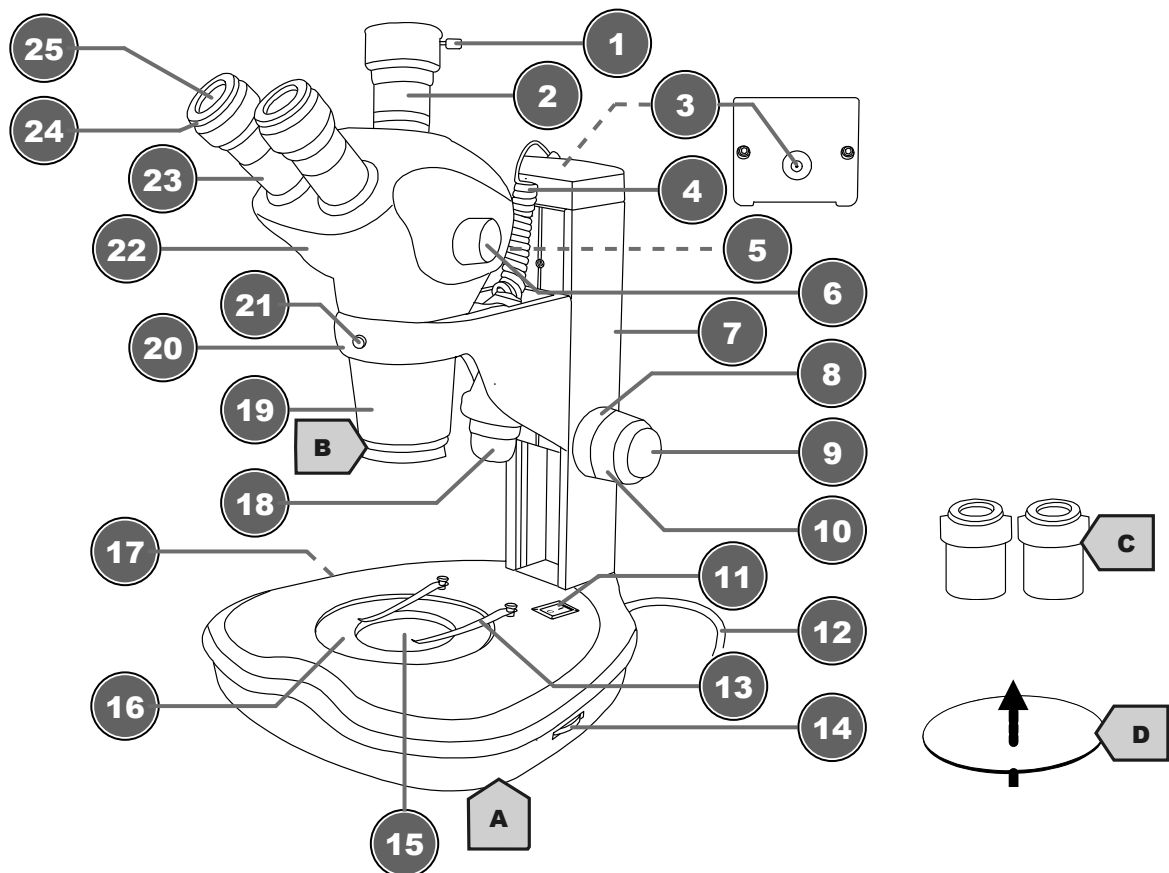


Abb. 1: Alle Teile des Mikroskops

1 Fixierschraube (Trinokularer Ansatz)	2 Trinokularer Ansatz
3 Stromanschlussbuchs (Auflicht)	4 Verbindungskabel mit DC-Hohlstecker
5 Schieber für trinokularen Auszug	6 Zoomknopf
7 Vertikalsäule	8 Friktionseinstellrad (nur links)
9 Feinfokussierung	10 Grobfokussierung
11 Ein/Aus-Schalter	12 Netzkabel mit Netzstecker
13 Objekt-Halteklammern	14 Dimmer-Regler (Auflicht)
15 Durchlichtbeleuchtung	16 Auflage für Objektplatte
17 Dimmer-Regler (Durchlicht)	18 Auflicht-Beleuchtung
19 Objektiv-Tubus	20 Halterung (Mikroskop-Kopf)
21 Fixierschraube (Objektiv-Tubus)	22 Mikroskop-Kopf
23 Okularstutzen	24 Dioptrien-Einstellung
25 Okularlinse	

Lieferumfang:

Mikroskop mit integriertem Netzkabel und –stecker (A), Objektiv (fest montiert) (B), 2 Stck. WF 10x Okulare (C), Objektplatte weiß (durchscheinend) (D)

7 Standortwahl

Vor dem Aufbau und der Inbetriebnahme einen geeigneten Standort wählen.

Gerät auf einem stabilen, ebenen und erschütterungsfreien Untergrund platzieren.

8 Mikroskop-Kopf anbringen und bewegen

1. Mikroskop-Kopf mit dem Objektiv voran von oben in die Kopf-Halterung einsetzen.
2. Die Fixierschraube an der Halterung handfest anziehen, um den Mikroskop-Kopf zu fixieren.
3. Die Fixierschraube am Mikroskop-Kopf lösen, um den Teil oberhalb des Objektivs in die gewünschte Beobachtungsposition zu drehen.
4. Die Fixierschraube am Mikroskop-Kopf handfest anziehen, um den Kopf in der Position zu fixieren.

9 Objektplatte einsetzen

1. Die Objekt-Halteklammern zur Seite schwenken.
2. Die Objektplatte auf die Auflagefläche auflegen.

10 Stromversorgung herstellen

1. Den Netzstecker des Netzkabels in die Steckdose stecken.
2. Den DC-Hohlstecker des Auflicht-Spannungskabels in die DC-Anschlussbuchse oberhalb der Vertikalsäule stecken.

11 Gerät ein-/ausschalten

1. Ein/Aus-Schalter in die Position ‚I‘ bewegen, um das Gerät einzuschalten.
2. Ein/Aus-Schalter in die Position ‚O‘ bewegen, um das Gerät auszuschalten.

12 Beleuchtung einstellen

Dieses Gerät verfügt über eine Beleuchtungseinheit mit fest eingebauter LED-Lichtquelle.

Zur Regelung der Beleuchtung folgendermaßen vorgehen:

1. Gerät einschalten.
2. Dimmerregler drehen/bewegen, um die Helligkeit der Lichtquelle zu regulieren.
3. Objekt auf der Objektplatte platzieren.
4. Auflicht-Beleuchtung einschalten.
5. Lampenfassung in die gewünschte Position bewegen.

13 Beobachtungseinstellungen vornehmen

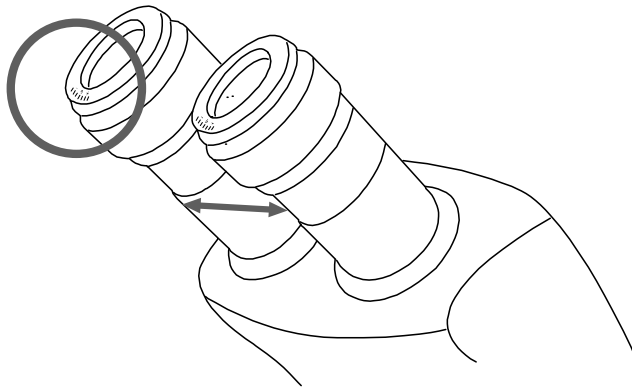


Abb. 2: Binokularer Einblick mit Dioptrien-Einstellung am Okular

Dieses Mikroskop verfügt über einen binokularen Einblick. Die Augenabstands- und Dioptrien-Einstellung können individuell vorgenommen werden.

1. Mit beiden Augen durch die Okulare blicken.
2. Den Abstand der beiden Okulare durch zusammenschieben oder auseinanderziehen so verändern bis ein kreisrundes Bild vom Beobachtungsobjekt sichtbar ist.
3. Dioptrieneinstellung auf Position ,0' drehen.
4. Zoomknopf auf Position ,5' drehen.
5. Mit dem linken Auge durch das linke Okular blicken und Fokussierknopf drehen bis ein scharfes Bild vom Beobachtungsobjekt sichtbar ist.
6. Mit dem rechten Auge durch das rechte Okular blicken und den Dioptrieneinstellung drehen bis ebenfalls ein scharfes Bild vom Beobachtungsobjekt sichtbar ist.

Die Dioptrieneinstellung kann alternativ auch in umgekehrter Weise am linken Okular vorgenommen werden.

14 Friktionseinstellung

Bei einer zu leichten Friktionseinstellung bewegt sich der Mikroskop-Kopf aufgrund des Gewichts auf der Führungsschiene selbstständig abwärts. Hierdurch entsteht ein unscharfes Bild.

Um dies zu vermeiden, das Friktionseinstellungsrad etwas anziehen.

15 Verwendung des trinokularen Auszugs

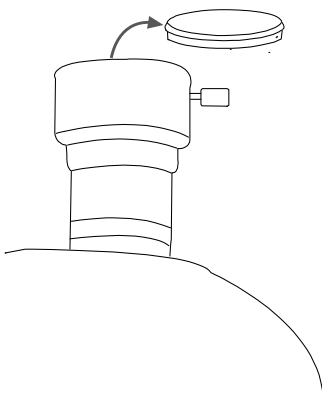


Abb. 3: Trinokularer Auszug

Am trinokularen Auszug können – abhängig vom angebrachten Adapter* – eine Spiegelreflexkamera, Systemkamera oder C-Mount-Kamera angebracht werden.

HINWEIS! Kameras zeigen in der Regel einen kleineren Bildausschnitt als Okulare. Dies liegt u.a. an der Sensorgröße und kann nicht verändert werden.

Um einen geeigneten Kameraadapter anzubringen, folgendermaßen vorgehen:

1. Die Fixierschraube am Auszug lösen und den Staubschutzdeckel entfernen.
2. Den Schieber für den trinokularen Auszug einschieben, um die Funktion freizuschalten.
3. Den gewünschten Kameraadapter einsetzen/anbringen.
4. Die Klemmschraube wieder anziehen.
5. Über die Fokussierung des Kameraadapters die Bildschärfe der Kamera anpassen. Die meisten Kameramodelle können so parfokal zu den Okularen eingestellt werden.

HINWEIS! Informationen zu passendem Zubehör finden Sie im Kapitel „Optionales Zubehör“.

*nicht im Lieferumfang enthalten / optional erhältlich

16 Optionales Zubehör an Objektivtubus anbringen

Der Objektivtubus verfügt über ein Gewinde M48 x 0,75 zur Montage von Vorsatzlinsen*.

Die äußere Einkerbung am Objektivring dient zur Befestigung einer Ringbeleuchtung*.

*nicht im Lieferumfang enthalten

HINWEIS! Informationen zu passendem Zubehör finden Sie im Kapitel „Optionales Zubehör“.

17 Reinigung und Wartung

- Gerät vor Staub und Feuchtigkeit schützen.
- Fingerabdrücke und ähnliche Verunreinigungen der optischen Flächen vermeiden.
- Vor der Verwendung muss die Restfeuchtigkeit vollständig abgebaut sein.
- Unterbrechen Sie die Stromzufuhr, wenn Sie das Gerät nicht benutzen, im Falle einer längeren Betriebsunterbrechung sowie vor allen Wartungs- und Reinigungsarbeiten, indem Sie den Netzstecker ziehen.
- Reinigen Sie das Gerät nur äußerlich mit einem trockenen Tuch. Benutzen Sie keine Reinigungsflüssigkeit, um Schäden an der Elektronik zu vermeiden.
- Keine organischen Lösungsmittel (z.B. Alkohol, Äther, Aceton, Xylol oder andere Verdüner) für die Reinigung von lackierten Teilen oder Kunststoffteilen verwenden!
- Auswechselbare optische Elemente (z.B. Objektiv, Okular, etc.) vor der Reinigung demontieren.
- Zunächst lösen Staub von den Linsenoberflächen blasen.
- Linsentücher von guter Qualität oder weichen Stoff verwenden und leicht mit reinem Alkohol (in der Apotheke erhältlich) anfeuchten. Linsenoberfläche damit sanft abwischen.
- Nach der Benutzung eine Staubschutzhülle* über das Mikroskop ziehen und in einem geschlossenen Behältnis* an einem trockenen und schimmelfreien Platz lagern. Bei längerer Nichtbenutzung das Mikroskop und die Zubehörteile wieder in den dazugehörigen Behältnissen verstauen. Es wird empfohlen, auch alle Objektive und Okulare in einem geschlossenen Behälter mit Trockenmittel zu lagern.

(*abhängig vom jeweiligen Modell können Staubschutzhülle und Koffer bereits im Lieferumfang enthalten sein)



HINWEIS

Merke:

Ein gut gepflegtes Mikroskop behält über Jahre seine optische Qualität und so seinen Wert.

18 Entsorgung



Entsorgen Sie die Verpackungsmaterialien sortenrein. Informationen zur ordnungsgemäßen Entsorgung erhalten Sie beim kommunalen Entsorgungsdienstleister oder Umweltamt.



Werfen Sie Elektrogeräte nicht in den Hausmüll!
Gemäß der Europäischen Richtlinie 2012/19/EG über Elektro- und Elektronik-Altgeräte und deren Umsetzung in nationales Recht müssen verbrauchte Elektrogeräte getrennt gesammelt und einer umweltgerechten Wiederverwertung zugeführt werden.

19 Optionales Zubehör

Wechselokulare

BRESSER Weitfeld-Okular 15x/16 (30mm) mit Dioptrienausgleich
Art.-Nr. 5943116

Adapter für trinokularen Ansatz

BRESSER Adapter für Spiegelreflex- und Systemkameras
Art.-Nr. 5942100 (kamaspezifischer T2-Ring zusätzlich erforderlich)

BRESSER Adapter für C-Mount-Kameras
Art.-Nr. 5942101

Vorsatzlinse für Objektiv

BRESSER Zusatzobjektiv 2.0x
Art.-Nr. 5941496

20 Technische Daten

Artikelnummer: 5806300

Mikroskop-Kopf: trinokular

Objekttisch: ja, mit durchscheinender Objektplatte (Durchm. 90 mm; Stärke 5 mm)

Okular(e): 2x WF 10x (30 mm)

Okular-Sehfeld: 22

Objektiv(e): 0,7x bis 6,3x

Vergößerung(en): 7x bis 63x

Spannungsversorgung: 230V Netzanschluss

Beleuchtung: LED, dual (Auflicht/Durchlicht), unabhängig regelbar

21 Garantie

Die reguläre Garantiezeit beträgt 10 Jahre und beginnt am Tag des Kaufs. Die vollständigen Garantiebedingungen und Serviceleistungen können Sie unter www.bresser.de/garantiebedingungen einsehen.

22 EG-Konformitätserklärung



Eine „Konformitätserklärung“ in Übereinstimmung mit den anwendbaren Richtlinien und entsprechenden Normen ist von der Bresser GmbH erstellt worden. Der vollständige Text der EG-Konformitätserklärung ist unter der folgenden Internetadresse verfügbar:
www.bresser.de/download/5806300/CE/5806300_CE.pdf

Service

DE AT CH BE

Bei Fragen zum Produkt und eventuellen Reklamationen nehmen Sie bitte zunächst mit dem Service-Center Kontakt auf, vorzugsweise per E-Mail.

E-Mail: service@bresser.de
Telefon*: +49 28 72 80 74 210

BRESSER GmbH
Kundenservice
Gutenbergstr. 2
46414 Rhede
Deutschland

*Lokale Rufnummer in Deutschland (Die Höhe der Gebühren je Telefonat ist abhängig vom Tarif Ihres Telefonanbieters); Anrufe aus dem Ausland sind mit höheren Kosten verbunden.

GB IE

Please contact the service centre first for any questions regarding the product or claims, preferably by e-mail.

E-Mail: service@bresseruk.com
Telephone*: +44 1342 837 098

BRESSER UK Ltd.
Suite 3G, Eden House
Enterprise Way
Edenbridge, Kent TN8 6HF
Great Britain

*Number charged at local rates in the UK (the amount you will be charged per phone call will depend on the tariff of your phone provider); calls from abroad will involve higher costs.

FR BE

Si vous avez des questions concernant ce produit ou en cas de réclamations, veuillez prendre contact avec notre centre de services (de préférence via e-mail).

E-Mail: sav@bresser.fr
Téléphone*: 00 800 6343 7000

BRESSER France SARL
Pôle d'Activités de Nicopolis
314 Avenue des Chênes Verts
83170 Brignoles
France

*Prix d'un appel local depuis la France ou Belgique

NL BE

Als u met betrekking tot het product vragen of eventuele klachten heeft kunt u contact opnemen met het service centrum (bij voorkeur per e-mail).

E-Mail: info@bresserbenelux.nl
Telefoon*: +31 528 23 24 76

BRESSER Benelux
Smirnoffstraat 8
7903 AX Hoogeveen
The Netherlands

*Het telefoonnummer wordt in het Nederland tegen lokaal tarief in rekening gebracht. Het bedrag dat u per gesprek in rekening gebracht zal worden, is afhankelijk van het tarief van uw telefoon provider; gesprekken vanuit het buitenland zullen hogere kosten met zich meebrengen.

ES PT

Si desea formular alguna pregunta sobre el producto o alguna eventual reclamación, le rogamos que se ponga en contacto con el centro de servicio técnico (de preferencia por e-mail).

E-Mail: servicio.iberia@bresser-iberia.es
Teléfono*: +34 91 67972 69

BRESSER Iberia SLU
c/Valdemorillo,1 Nave B
P.I. Ventorro del Cano
28925 Alcorcón Madrid
España




*Número local de España (el importe de cada llamada telefónica dependen de las tarifas de los distribuidores); Las llamadas des del extranjero están ligadas a costes suplementarios..

Bresser GmbH

Gutenbergstraße 2

46414 Rhede · Germany

www.bresser.de

    @BresserEurope

